

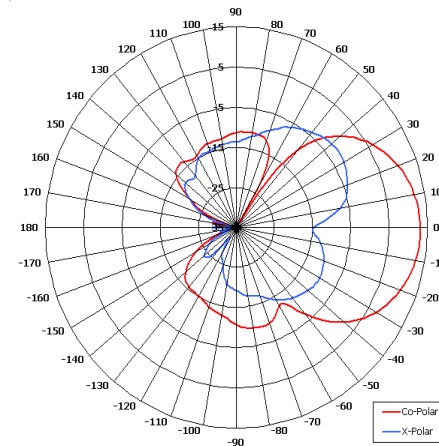
FPA13-24R-D4/243

COBHAM

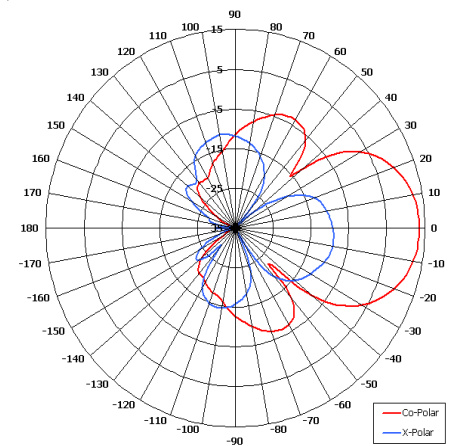
Directional Antenna

The most important thing we build is trust

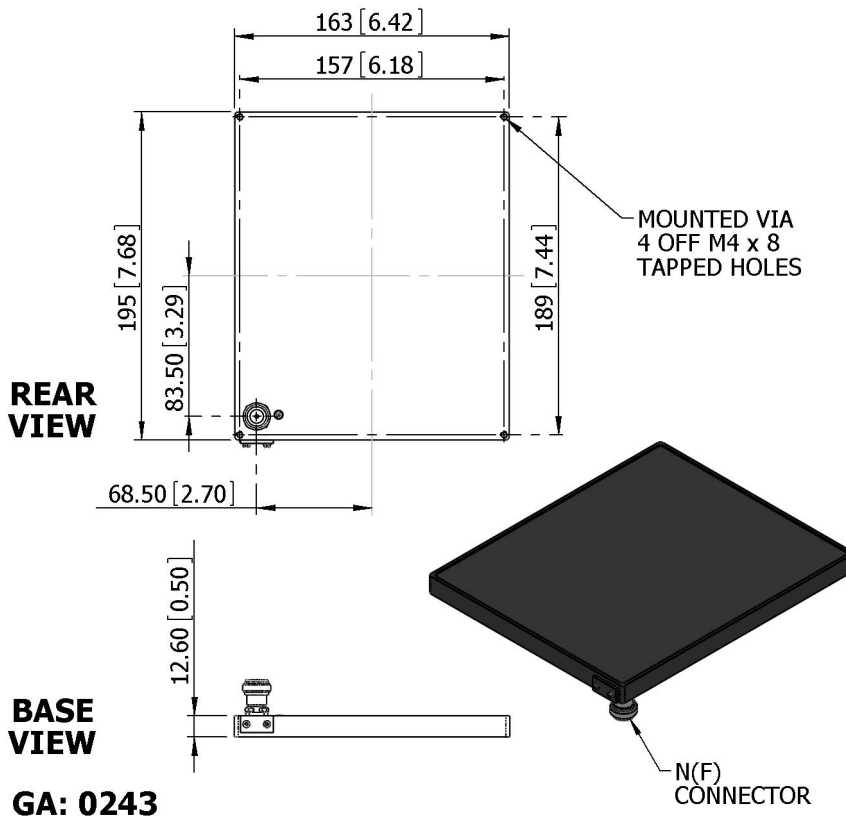
- Designed for Security Applications
- Suitable for Multiple Applications
- Right Hand Circular Polarised
- Low Profile
- Connector Options



Azimuth Pattern



Elevation Pattern



ELECTRICAL

Frequency	2.30 - 2.60 GHz
Gain	13 dBiC Nom
Polarisation	Right Hand Circular
Beamwidth	40° (Az) x 40° (El) Approx
Axial Ratio	3 dB Typ
VSWR	1.5:1
Power Rating	10 W
Front to Back	20 dB

MECHANICAL

Standard Finish	Matt Black
Mass	0.5 Kg (1.1 lbs)
Temperature	-20° to +50°C
Wind Loading	5.2 Kg (11.4 lbs) @ 100mph

MOUNTING OPTIONS

Kits Available	N/A
See separate data sheets	

ADDITIONAL NOTES

Issued 161210

European Antennas Limited trading as Cobham Antenna Systems, Microwave Antennas

European Antennas Limited has a policy of continuous development and stress that the information provided is a guide only and does not constitute an offer or contract or part thereof. Whilst every effort is made to ensure the accuracy of the information contained in this brochure, no responsibility can be accepted for any errors or omissions.

The copyright of antenna designs and images is copyright protected and owned by European Antennas Limited.
©European Antennas Limited

For further information please contact:

Cobham Antenna Systems, Microwave Antennas
 Lambda House, Cheveley,
 Newmarket, Suffolk CB8 9RG, UK.
 Tel +44 (0)1638 732 177
 Fax +44 (0) 1638 731999
 Email newmarket.sales@cobham.com