



EUROPEAN ANTENNAS



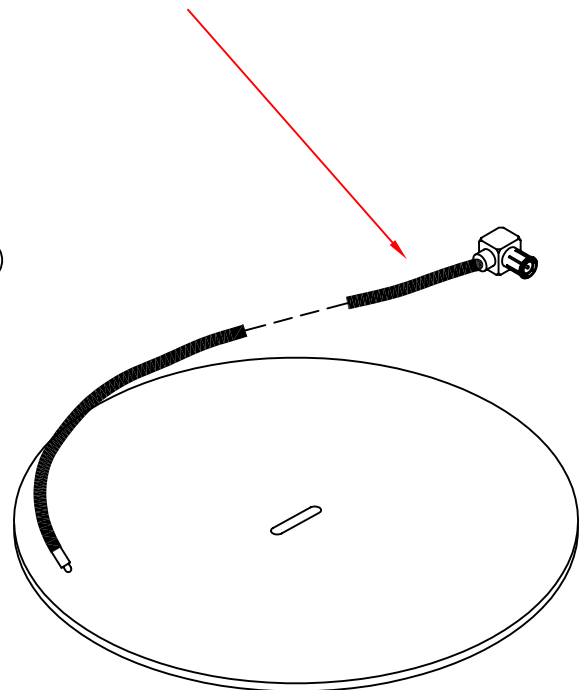
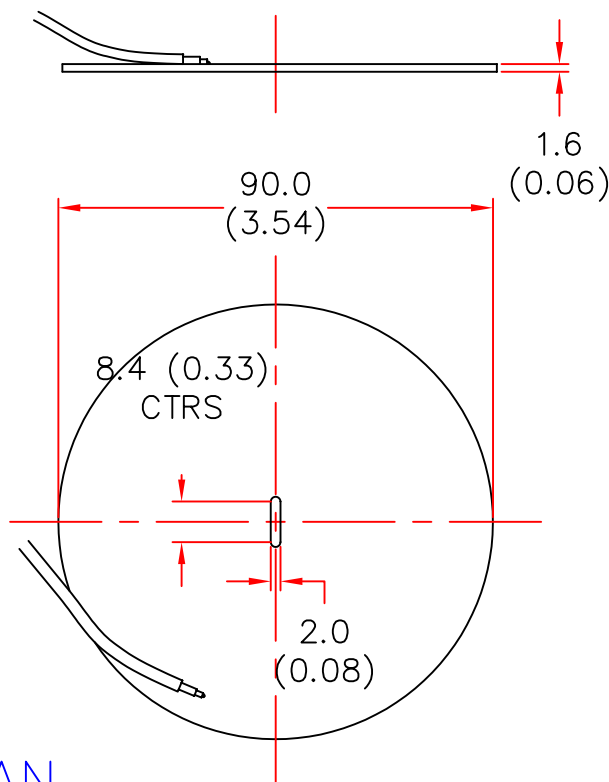
PATCH ANTENNA

MODEL: PA5-GPS-UE3/277

FREQUENCY: 1575 MHz \pm 5 MHz	GAIN: 5 dBiC
POLARISATION: R.H. Circular	BEAMWIDTH: 90° x 90°
AXIAL RATIO: 3 dB Typical	VSWR: 1.5 : 1 @ F ₀
POWER RATING: N/A Rx Only	FRONT TO BACK: 15 dB
TEMPERATURE: -20°C to +50°C	MASS: 25 g/1 oz
FINISH: Tinned	WIND LOADING: N/A

SIDE
VIEW

INTEGRAL 232.0mm RG 178 CABLE
WITH MCX RIGHT ANGLED CONNECTOR



ISOMETRIC VIEW

PLAN
VIEW

DIMENSIONS: mm (inches)
GA 277-1 Issued 131097

EUROPEAN ANTENNAS LTD.

TEL: +44 (0)1638 731888

LAMBDA HOUSE, CHEVELEY,
NEWMARKET, SUFFOLK, CB8 9RG,
UNITED KINGDOM.

FAX: +44 (0)1638 731999

European Antennas Ltd. has a policy of continuous development and therefore stress that the data contained on this sheet should be used for guidance only.