



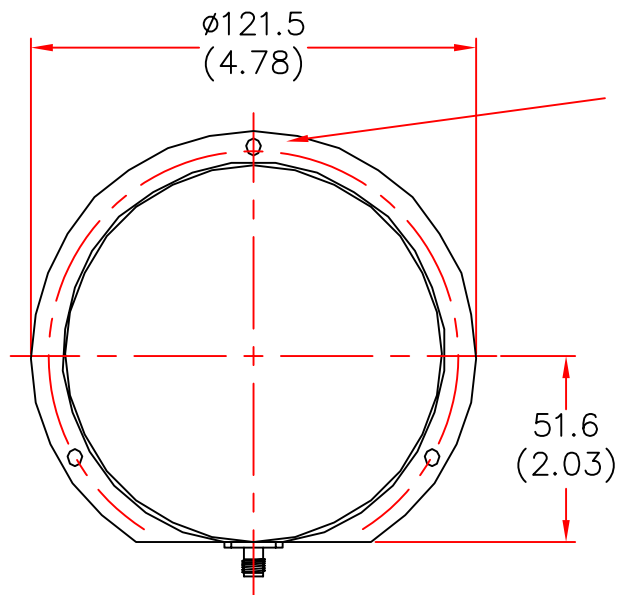
EUROPEAN ANTENNAS



LOW PROFILE ANTENNA

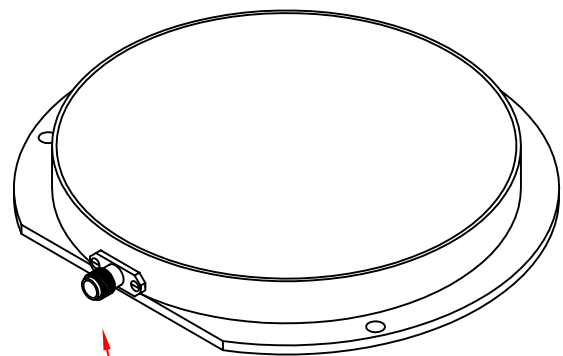
MODEL: LPA7-19V/252

FREQUENCY: 1.85 – 2.00 GHz	GAIN: 7 dBi
POLARISATION: Linear (Vertical)	BEAMWIDTH: 80° x 80°
CROSS POLAR: 20 dB Typical	VSWR: 1.5 : 1
POWER RATING: 10 W	FRONT TO BACK: 15 – 20 dB
TEMPERATURE: -20°C to +50°C	MASS: 150 g/5 oz
RADOME: Glass Fibre/Gloss White	WIND LOADING: 1.8Kg/4.0lbs @100mph



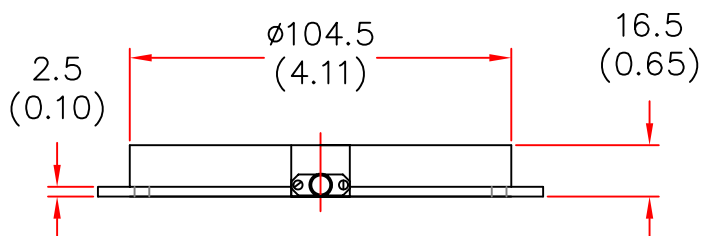
MOUNTING VIA 3 x ϕ 4.2 HOLES
EQUALLY SPACED ON A 113.0 PCD

ISOMETRIC VIEW



SMA(F) CONNECTOR

PLAN VIEW



END VIEW

DIMENSIONS: mm (inches)

GA 252-2 Issued 280697

EUROPEAN ANTENNAS LTD.

TEL: +44 (0)1638 731888

LAMBDA HOUSE, CHEVELEY,
NEWMARKET, SUFFOLK, CB8 9RG,
UNITED KINGDOM.

FAX: +44 (0)1638 731999

European Antennas Ltd. has a policy of continuous development and therefore stress that the data contained on this sheet should be used for guidance only.