



EUROPEAN ANTENNAS

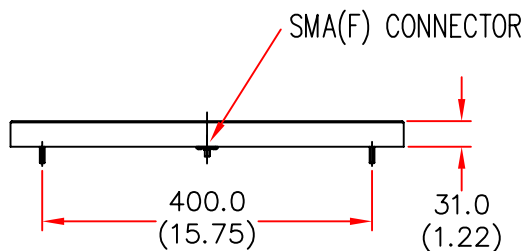


FLAT PLATE ANTENNA

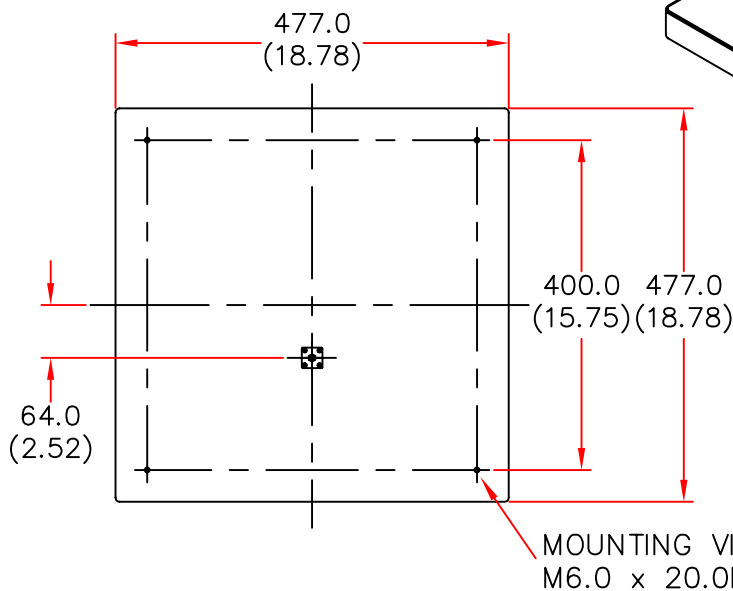
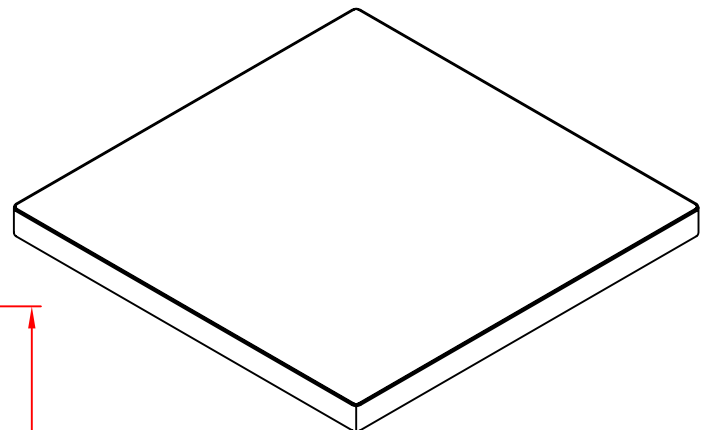
MODEL: FPA13-900V-SMA/326

FREQUENCY: 870 - 960 MHz	GAIN: 13 dBi
POLARISATION: Linear (Vertical)	BEAMWIDTH: 40° x 40°
CROSS POLAR: 20 dB	VSWR: 1.5 : 1 at f_0 2 : 1 Max
POWER RATING: 25 W	FRONT TO BACK: 20 dB
TEMPERATURE: -20°C to +50°C	MASS: 2 Kg / 4.4 lbs
RADOME: Glass Fibre/Gloss White	WIND LOADING: 36.9Kg/81.2lbs @100mph

SIDE VIEW



ISOMETRIC VIEW



REAR VIEW

DIMENSIONS: mm (inches)

GA 326-2 Issued 050404

EUROPEAN ANTENNAS LTD.

TEL: +44 (0)1638 731888

LAMBDA HOUSE, CHEVELEY,
NEWMARKET, SUFFOLK, CB8 9RG,
UNITED KINGDOM.

FAX: +44 (0)1638 731999

European Antennas Ltd. has a policy of continuous development and therefore stress that the data contained on this sheet should be used for guidance only.