

LOW PROFILE ANTENNA

LPA7X-13R/318



ELECTRICAL

FREQUENCY:	1.25 - 1.35 GHz
GAIN:	7 dBiC Nominal
POLARISATION:	Right Hand Circular
BEAMWIDTH:	80° (Az) x 80° (El)
AXIAL RATIO:	3 dB Typical
VSWR:	1.5:1
POWER RATING:	25 W
FRONT TO BACK:	20 dB Typical

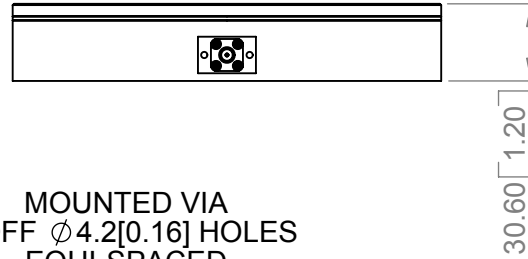
MECHANICAL

STANDARD FINISH:	Matt Black
MASS:	850 g / 1.87 lbs
TEMPERATURE:	-20° to +50°C
WIND LOADING:	3.7 Kg / 8.1 lbs @ 100 mph

MOUNTING OPTIONS

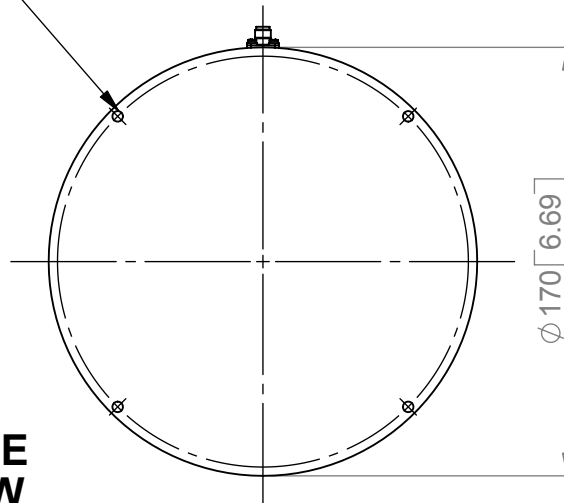
KITS AVAILABLE: N/A

SIDE VIEW



MOUNTED VIA
4 OFF $\phi 4.2$ [0.16] HOLES
EQUI-SPACED
ON 163[6.42] PCD

BASE VIEW



SMA(F)
CONNECTOR

ISOMETRIC VIEW

LPA7X-13R/318

GA: 318-2 Issued: 261107

DIMENSIONS: mm [inches]

European Antennas Ltd. has a policy of continuous development and therefore stress that the data contained on this sheet should be used for guidance only.

European Antennas Ltd. is part of the Cobham Antennas Division



Certificate No 9268

European Antennas Ltd
Lambda House, Cheveley
Newmarket, Suffolk, CB8 9RG, UK
Tel: +44 (0)1638 731888
sales@european-antennas.co.uk
www.european-antennas.co.uk