



EUROPEAN ANTENNAS

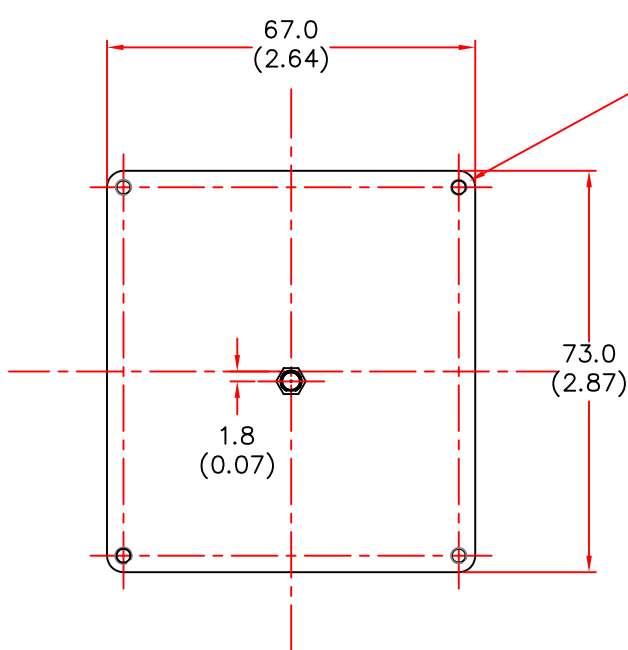


FLAT PANEL ANTENNA

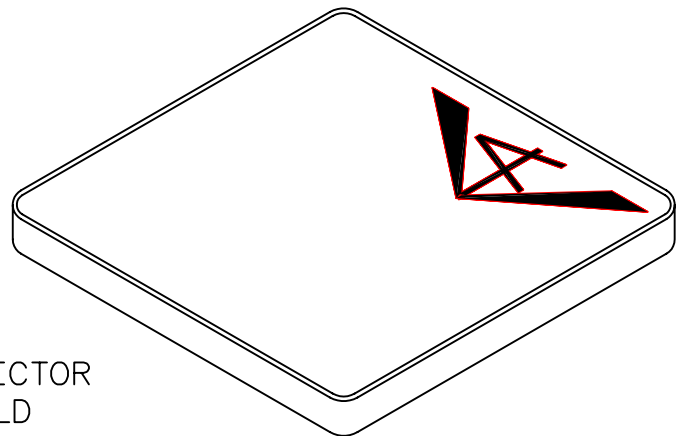
MODEL: FPA15-143V/211

FREQUENCY: 14.2 – 14.6 GHz	GAIN: 15 dBi
POLARISATION: Linear	BEAMWIDTH: 30° x 30°
CROSS POLAR: 20 dB Typical	VSWR: 2 : 1
POWER RATING: 5 W	FRONT TO BACK: 20 dB
TEMPERATURE: -20°C to +50°C	MASS: 200 g/7 oz
RADOME: Glass Fibre/Dark Brown	WIND LOADING: 0.79Kg/1.7lbs @100mph

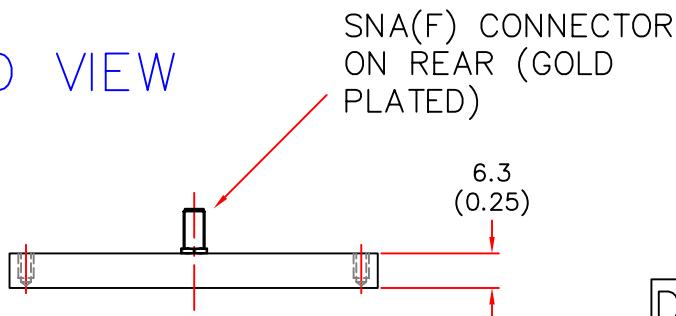
REAR VIEW



ISOMETRIC VIEW



END VIEW



DIMENSIONS: mm (inches)

GA 211-1 Issued 101296

EUROPEAN ANTENNAS LTD.

TEL: +44 (0)1638 731888

LAMBDA HOUSE, CHEVELEY,
NEWMARKET, SUFFOLK, CB8 9RG,
UNITED KINGDOM.

FAX: +44 (0)1638 731999

European Antennas Ltd. has a policy of continuous development and therefore stress that the data contained on this sheet should be used for guidance only.