



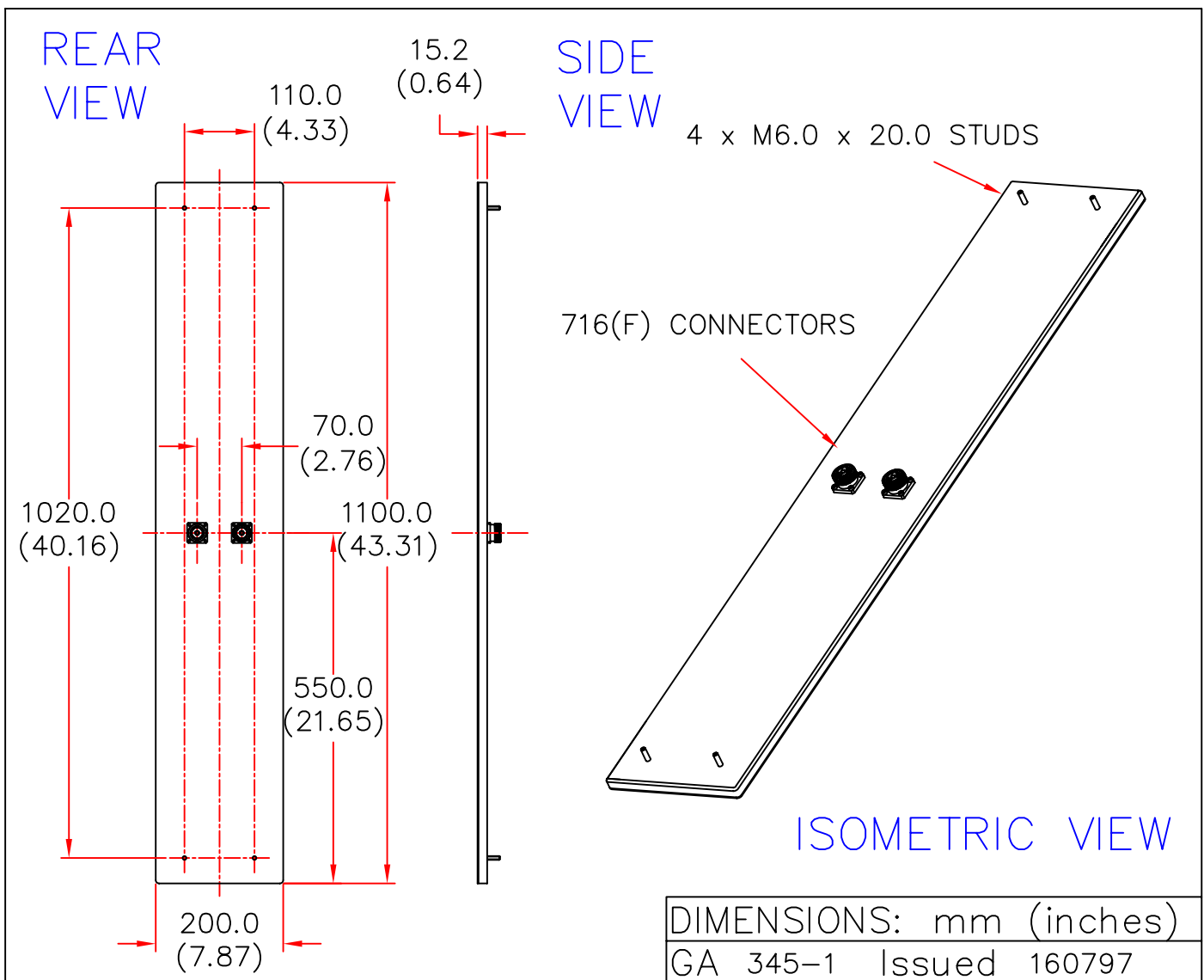
# EUROPEAN ANTENNAS



## DUAL LINEAR POLARISED SECTOR ANTENNA

MODEL: SA17-18DS-45/345

FREQUENCY: 1.71 – 1.88 GHz	GAIN: 16.5 dBi
POLARISATION: Dual Linear 45°	BEAMWIDTH: 65° x 8°
CROSS POLAR: 20 dB	VSWR: 1.5 : 1
POWER RATING: 25 W	FRONT TO BACK: 30 dB
TEMPERATURE: -20°C to +50°C	MASS: 1.6 Kg/3.5 lbs
RADOME: Glass Fibre/Gloss White	WIND LOADING: 33.1Kg/72.8lbs@100mph



EUROPEAN ANTENNAS LTD.

TEL: +44 (0)1638 731888

LAMBDA HOUSE, CHEVELEY,  
NEWMARKET, SUFFOLK, CB8 9RG,  
UNITED KINGDOM.

FAX: +44 (0)1638 731999

European Antennas Ltd. has a policy of continuous development and therefore stress that the data contained on this sheet should be used for guidance only.