



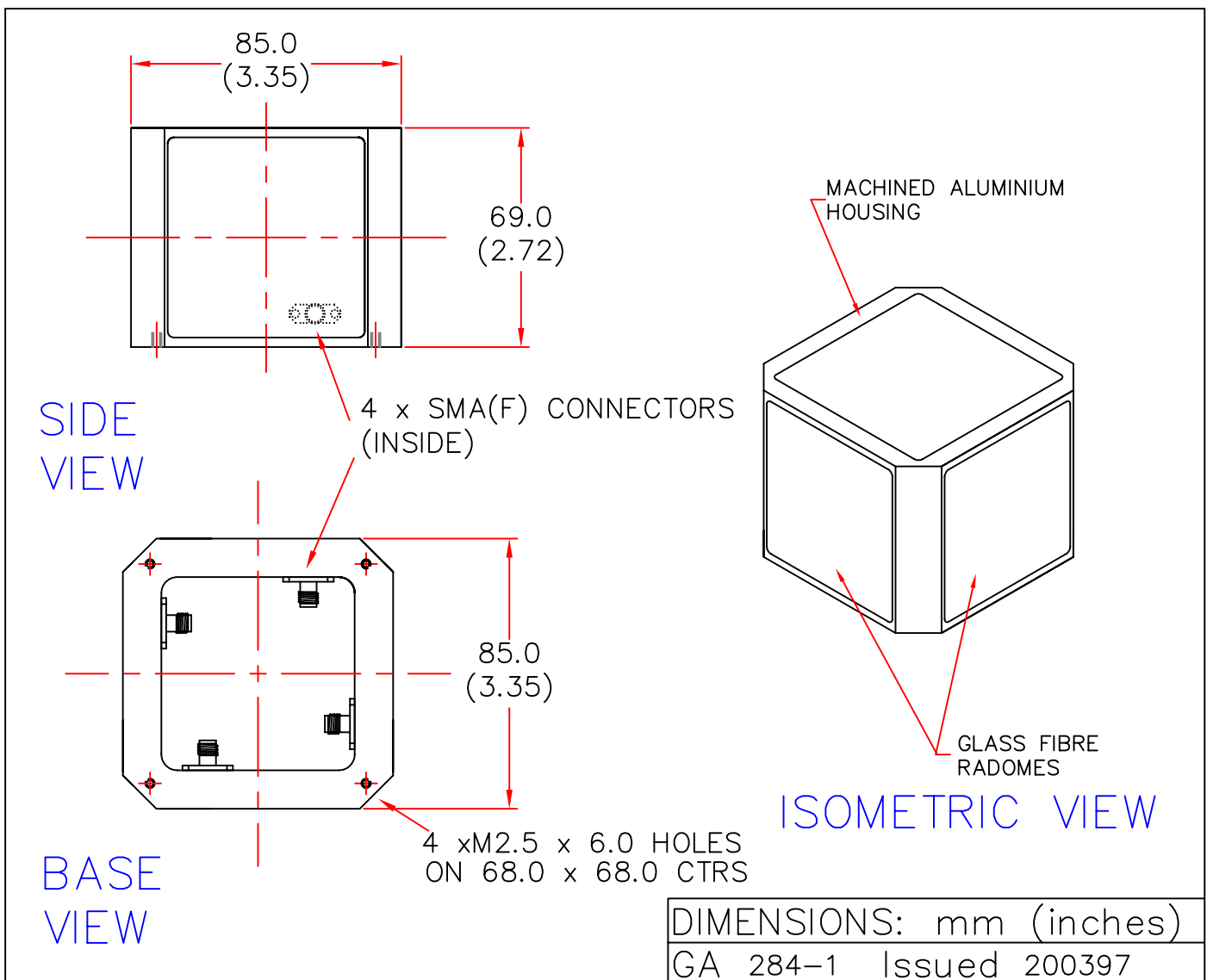
# EUROPEAN ANTENNAS



## QUAD-SECTOR ANTENNA

MODEL: SA7-QUAD-24R/284

FREQUENCY: 2.30 – 2.68 GHz	GAIN: 4 x 7 dBiC
POLARISATION: R.H. Circular	BEAMWIDTH: 80°x80° each sector
AXIAL RATIO: 3 dB Typ.	VSWR: 1.5 : 1 each sector
POWER RATING: 10 W	FRONT TO BACK: 20 dB
TEMPERATURE: -20°C to +50°C	MASS: 0.24 Kg/0.58 lbs
RADOME: Glass Fibre/Gloss White	WIND LOADING: 1.2Kg/2.6lbs @100mph



EUROPEAN ANTENNAS LTD.

TEL: +44 (0)1638 731888

LAMBDA HOUSE, CHEVELEY,  
NEWMARKET, SUFFOLK, CB8 9RG,  
UNITED KINGDOM.

FAX: +44 (0)1638 731999

European Antennas Ltd. has a policy of continuous development and therefore stress that the data contained on this sheet should be used for guidance only.