



EUROPEAN ANTENNAS

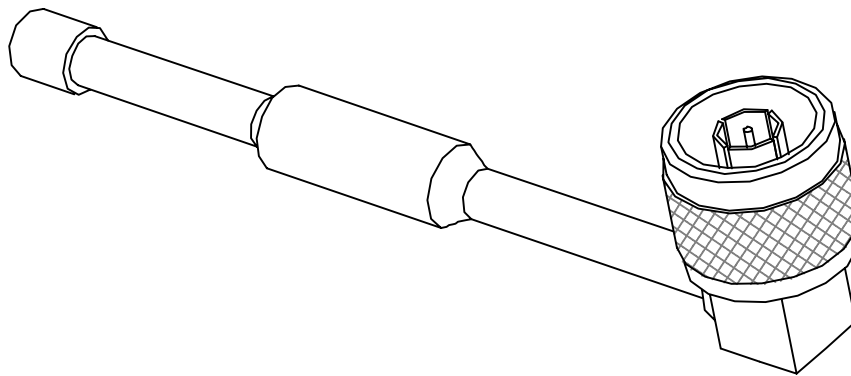


SLIM DIPOLE ANTENNA

MODEL: SVD2-2450-NM90/315

FREQUENCY: 2.35 – 2.55 GHz	GAIN: 2 dBi
POLARISATION: Linear (Vertical)	BEAMWIDTH: 360° x 80°
CROSS POLAR: 15 – 20 dB	VSWR: 2 : 1 Max
POWER RATING: 10 W	FRONT TO BACK: N/A
TEMPERATURE: -20°C to +50°C	MASS: 30 g/1 oz
FINISH: Matt Black	WIND LOADING: N/A

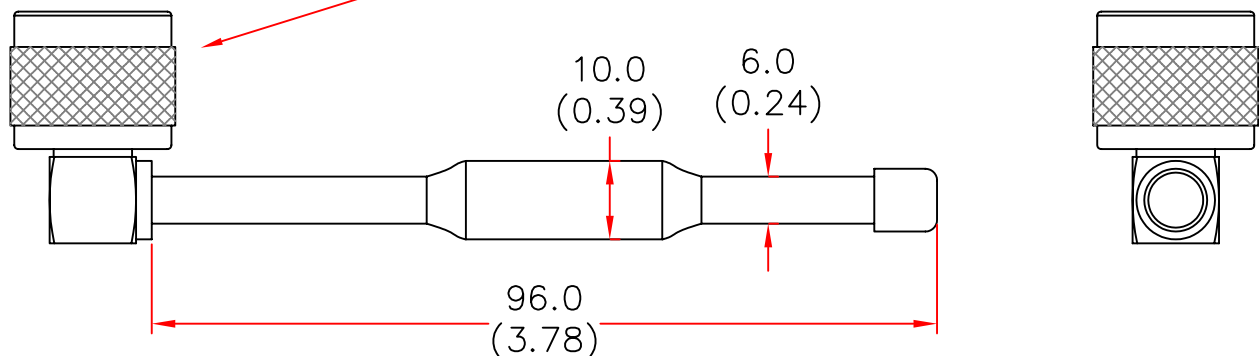
ISOMETRIC VIEW



SIDE VIEW

N(M) CONNECTOR

END VIEW



DIMENSIONS: mm (inches)

GA 315-1 Issued 031298

EUROPEAN ANTENNAS LTD.

TEL: +44 (0)1638 731888

LAMBDA HOUSE, CHEVELEY,
NEWMARKET, SUFFOLK, CB8 9RG,
UNITED KINGDOM.

FAX: +44 (0)1638 731999

European Antennas Ltd. has a policy of continuous development and therefore stress that the data contained on this sheet should be used for guidance only.