



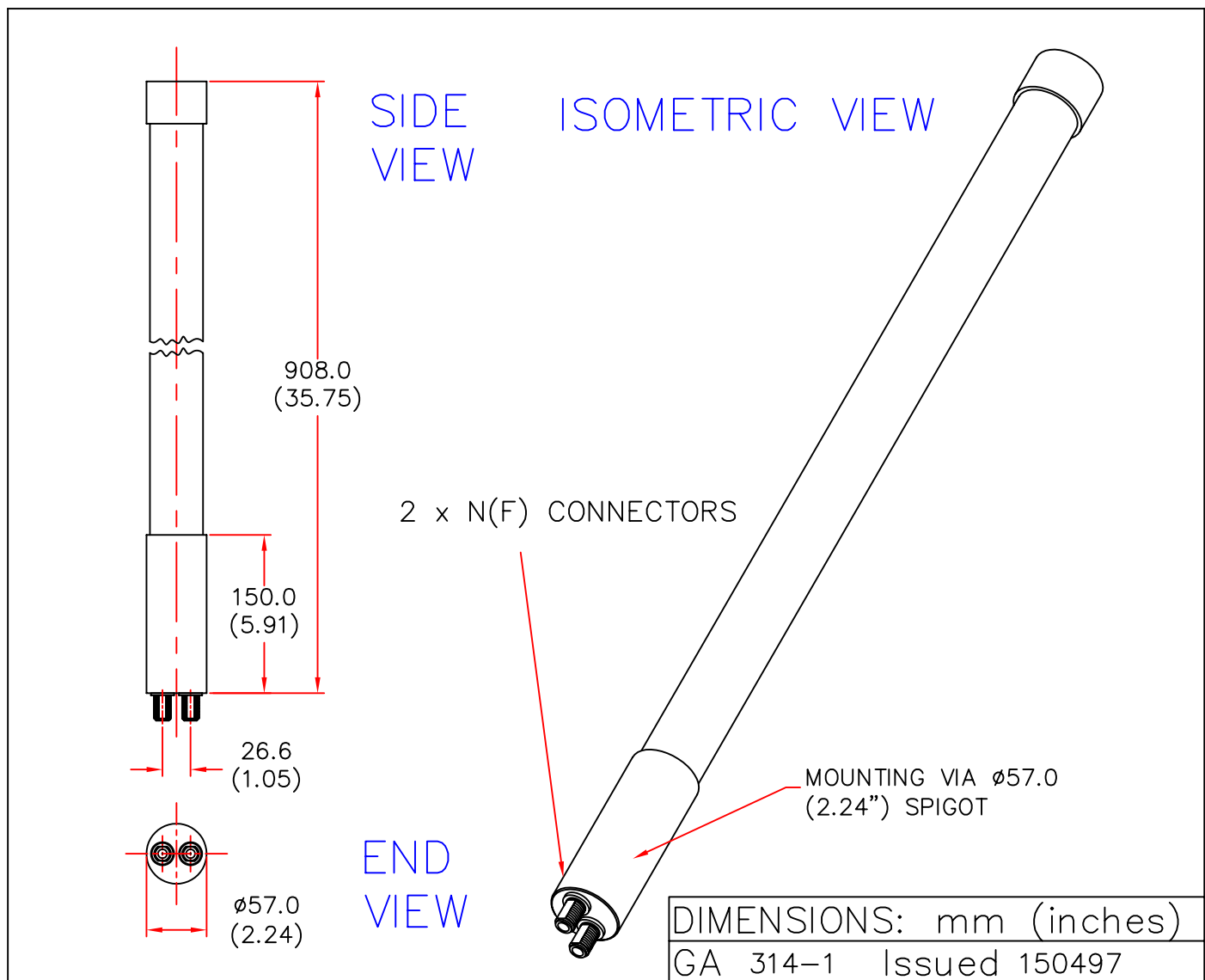
EUROPEAN ANTENNAS



DUAL VERTICALLY POLARISED ANTENNA

MODEL: DVOA4-1454/314

FREQUENCY: 1.37 – 1.52 GHz	GAIN: 4 dBi
POLARISATION: Linear (Vertical)	BEAMWIDTH: 360° x 40°
CROSS POLAR: 20 dB	VSWR: 2 : 1 Max 1.5 : 1 Typ
POWER RATING: 15 W	FRONT TO BACK: N/A
TEMPERATURE: -20°C to +50°C	MASS: 2.0 Kg/4.4 lbs
RADOME: Glass Fibre/Gloss White	WIND LOADING: 7.6Kg/16.8lbs@100mph



EUROPEAN ANTENNAS LTD.

TEL: +44 (0)1638 731888

LAMBDA HOUSE, CHEVELEY,
NEWMARKET, SUFFOLK, CB8 9RG,
UNITED KINGDOM.

FAX: +44 (0)1638 731999

European Antennas Ltd. has a policy of continuous development and therefore stress that the data contained on this sheet should be used for guidance only.