



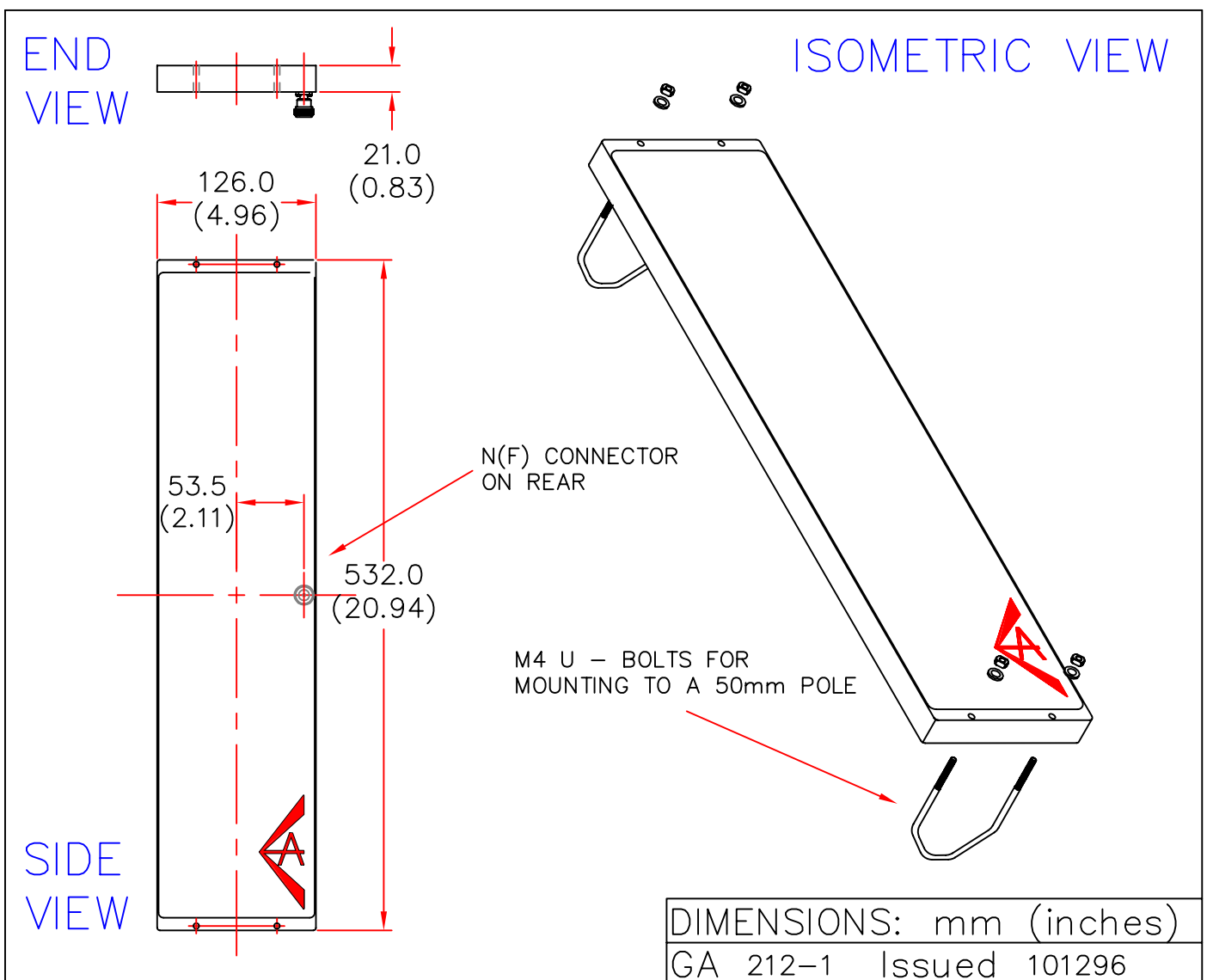
EUROPEAN ANTENNAS



SECTOR ANTENNA

MODEL: SA13-15R/212

FREQUENCY: 1.40 – 1.50 GHz	GAIN: 13 dBiC
POLARISATION: R.H. Circular	BEAMWIDTH: 80° x 20°
AXIAL RATIO: 2 dB Typical	VSWR: 1.5 : 1
POWER RATING: 25 W	FRONT TO BACK: 20 dB
TEMPERATURE: -20°C to +50°C	MASS: 2 Kg/4.4 lbs
RADOME: Glass Fibre/Gloss White	WIND LOADING: 10.8Kg/23.9lbs @100mph



EUROPEAN ANTENNAS LTD.

TEL: +44 (0)1638 731888

LAMBDA HOUSE, CHEVELEY,
NEWMARKET, SUFFOLK, CB8 9RG,
UNITED KINGDOM.

FAX: +44 (0)1638 731999

European Antennas Ltd. has a policy of continuous development and therefore stress that the data contained on this sheet should be used for guidance only.