



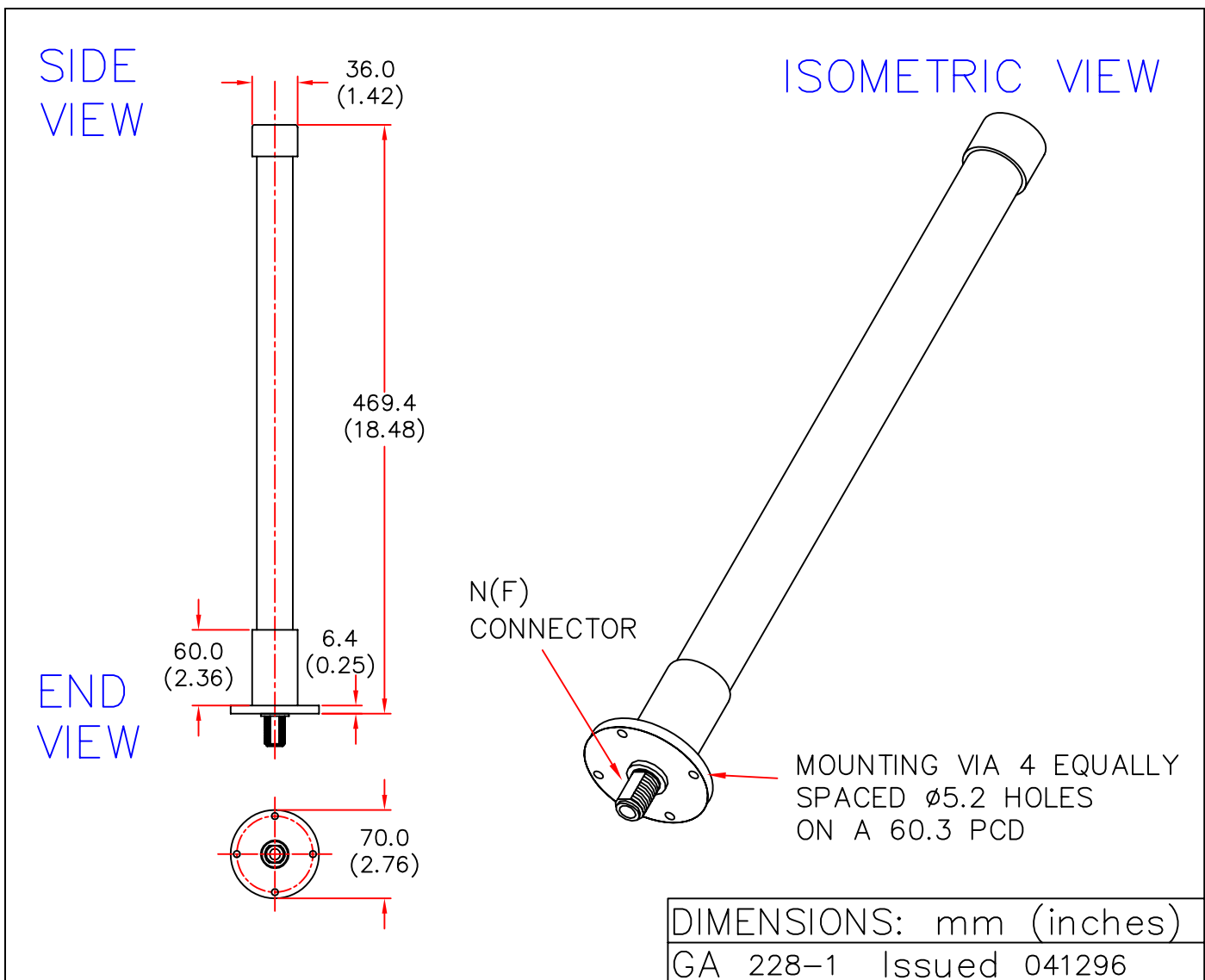
EUROPEAN ANTENNAS



VERTICALLY POLARISED OMNI ANTENNA

MODEL: VOA7-2500-HEL/228

FREQUENCY: 2.42 - 2.57 GHz	GAIN: 7 dBi
POLARISATION: Linear (Vertical)	BEAMWIDTH: 360° x 20°
CROSS POLAR: 20 dB	VSWR: 1.5 : 1
POWER RATING: 10 W	FRONT TO BACK: N/A
TEMPERATURE: -20°C to +50°C	MASS: 0.7 Kg/1.54 lbs
RADOME: Glass Fibre/Gloss White	WIND LOADING: 1.0Kg/2.2lbs @100mph



EUROPEAN ANTENNAS LTD.

TEL: +44 (0)1638 731888

LAMBDA HOUSE, CHEVELEY,
NEWMARKET, SUFFOLK, CB8 9RG,
UNITED KINGDOM.

FAX: +44 (0)1638 731999

European Antennas Ltd. has a policy of continuous development and therefore stress that the data contained on this sheet should be used for guidance only.