



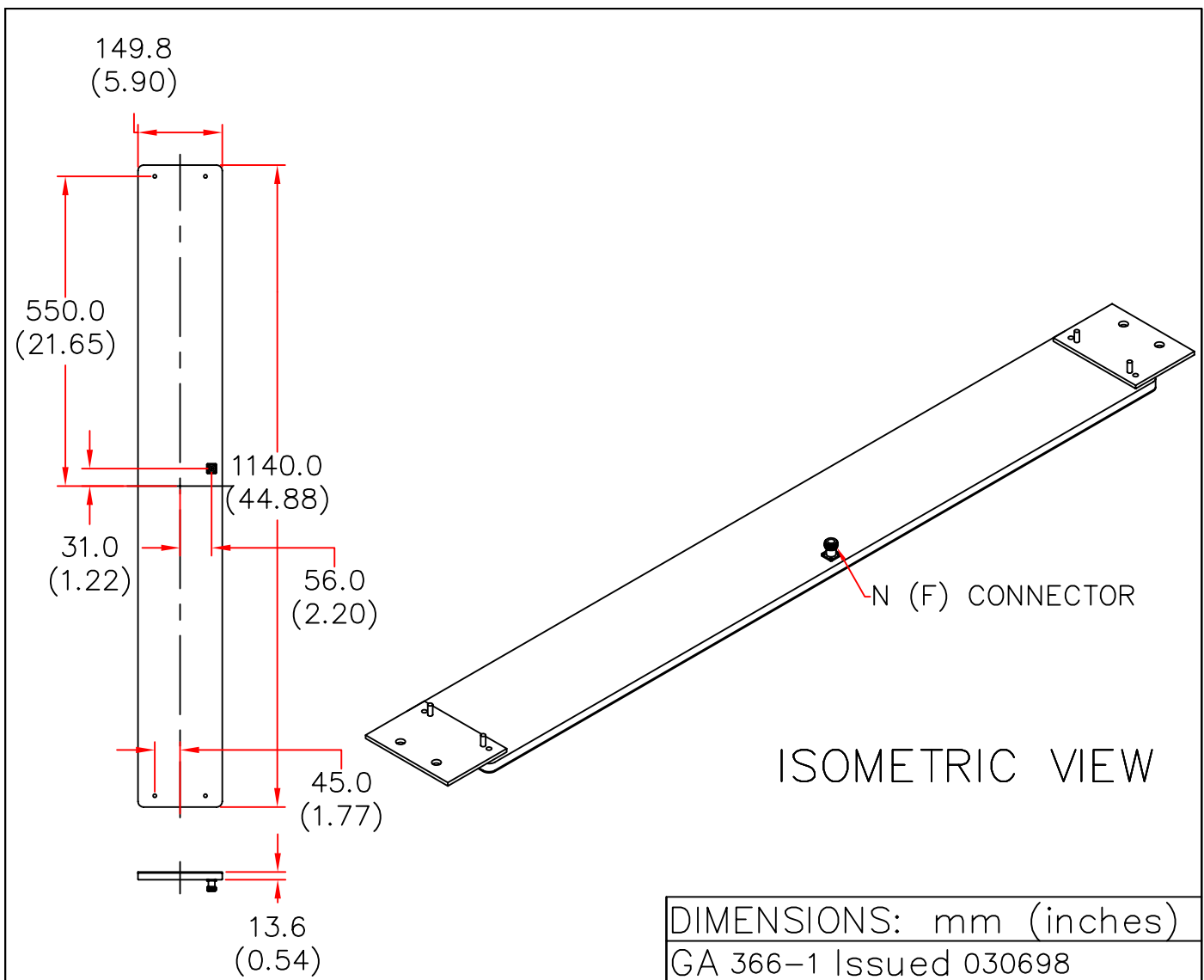
EUROPEAN ANTENNAS



SECTOR ANTENNA

MODEL: SA17-22V/366

FREQUENCY: 2.1 – 2.3 GHz	GAIN: 17 dBi
POLARISATION: Linear (Vertical)	BEAMWIDTH: 65° X 8°
CROSS POLAR: 20 dB	VSWR: 1.5:1
POWER RATING: 10W	FRONT TO BACK: 30 dB
TEMPERATURE: -20°C to +50°C	MASS: 2.4Kg/5.28lbs
RADOME: Glass Fibre, Gloss White	WIND LOADING: 27.7Kg/60.9lbs @ 100mph



EUROPEAN ANTENNAS LTD.

TEL: +44 (0)1638 731888

LAMBDA HOUSE, CHEVELEY,
NEWMARKET, SUFFOLK, CB8 9RG,
UNITED KINGDOM.

FAX: +44 (0)1638 731999

European Antennas Ltd. has a policy of continuous development and therefore stress that the data contained on this sheet should be used for guidance only.