



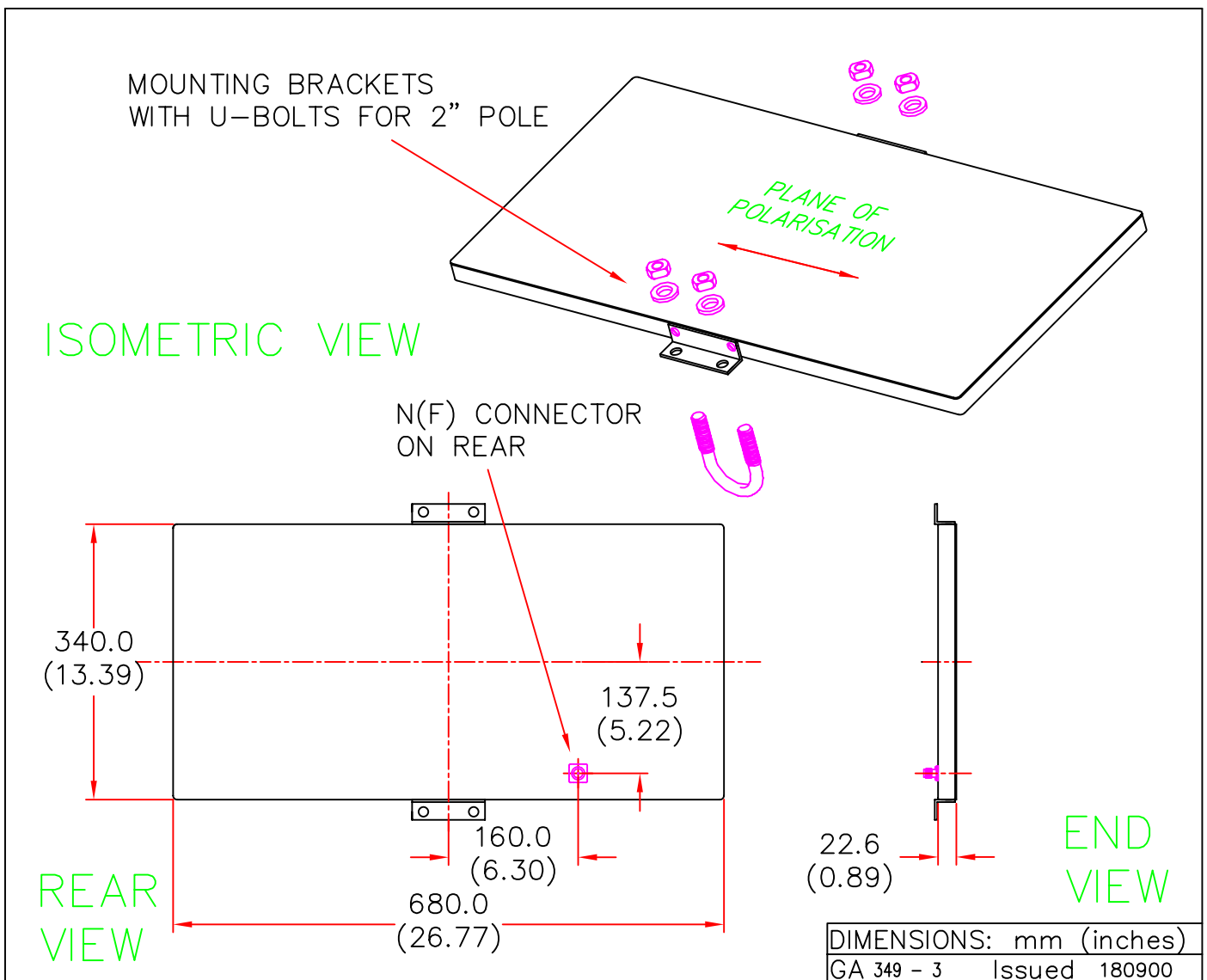
EUROPEAN ANTENNAS



Compliant to ETSI Standard EN 300 631-1 V1.1.1 C2.F3

MODEL: FPA17-1435H/349

FREQUENCY: 1.35 – 1.52 GHz	GAIN: 16 – 17 dBi
POLARISATION: Linear (See arrow)	BEAMWIDTH: 20° E-Plane x 40° H-Plane
CROSS POLAR: > 35 dB Over HPBW	VSWR: 2 : 1 Max 1.5 : 1 Typ
POWER RATING: 20 W	FRONT TO BACK: >28 dB Over HPBW
TEMPERATURE: -40°C to +50°C	MASS: 2.1 Kg/4.6 lbs
RADOME: Glass Fibre/Marine Application Paint	WIND LOADING: 37.5Kg/82.5lbs@100mph



EUROPEAN ANTENNAS LTD.

TEL: +44 (0)1638 731888

LAMBDA HOUSE, CHEVELEY,
NEWMARKET, SUFFOLK, CB8 9RG,
UNITED KINGDOM.

FAX: +44 (0)1638 731999

European Antennas Ltd. has a policy of continuous development and therefore stress that the data contained on this sheet should be used for guidance only.