



EUROPEAN ANTENNAS

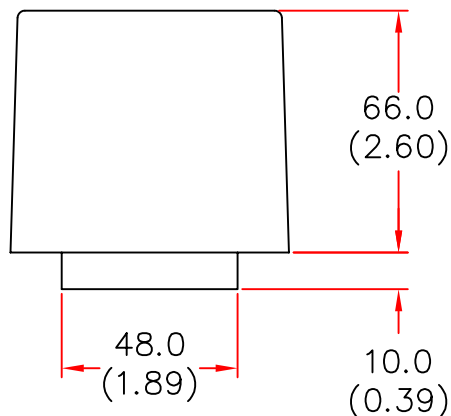


RIGHT HAND CIRCULARLY POLARISED OMNI ANTENNA

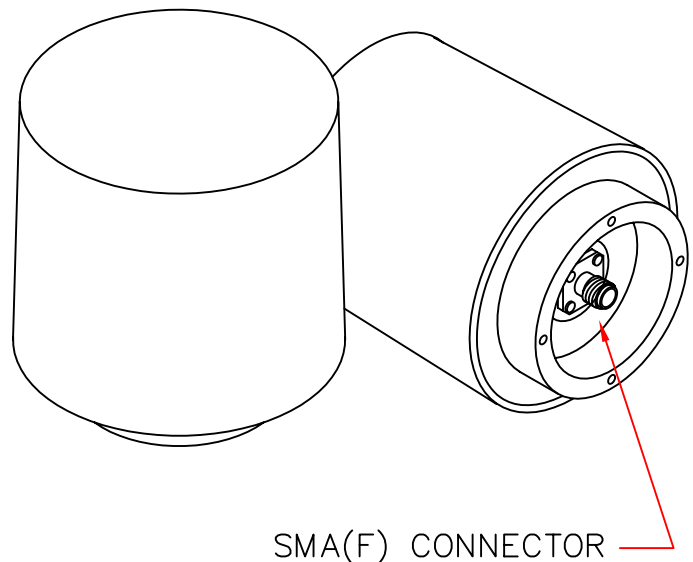
MODEL: RCO4-12850/271

FREQUENCY: 12.2 – 13.5 GHz	GAIN: 4 dBiC
POLARISATION: R.H. Circular	BEAMWIDTH: 360° x 50°
AXIAL RATIO: 2 dB Typical	VSWR: 1.5:1 Typical
POWER RATING: 10 W	FRONT TO BACK: N/A
TEMPERATURE: -20°C to +50°C	MASS: 150 g
RADOME: White ABS	WIND LOADING: 0.8Kg/1.7lbs @100mph

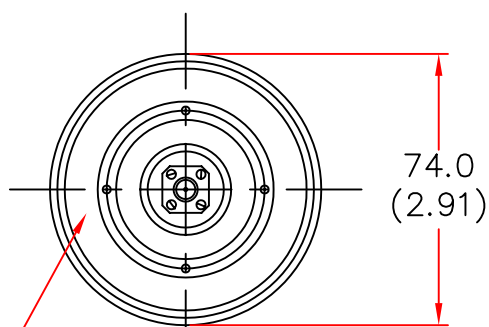
SIDE VIEW



ISOMETRIC VIEWS



END VIEW



4 x M2.5 x 8.0mm DEEP HOLES EQUALLY SPACED ON A 43.1 PCD

SMA(F) CONNECTOR

DIMENSIONS: mm (inches)

GA 271 Issued 281196

EUROPEAN ANTENNAS LTD.

TEL: +44 (0)1638 731888

LAMBDA HOUSE, CHEVELEY,
NEWMARKET, SUFFOLK, CB8 9RG,
UNITED KINGDOM.

FAX: +44 (0)1638 731999

European Antennas Ltd. has a policy of continuous development and therefore stress that the data contained on this sheet should be used for guidance only.