

# PSA 75301R/170

# COBHAM

## Spiral Antenna

The most important thing we build is trust

Designed for Test and Measurement Applications

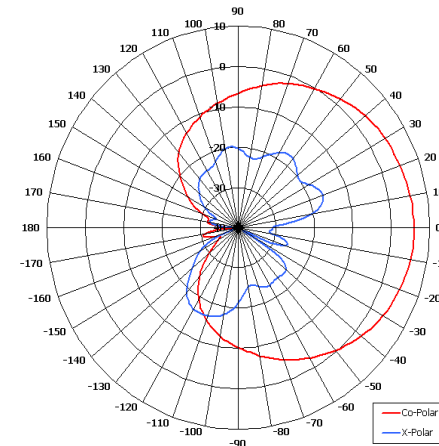
Suitable for Multiple Applications

Wide Band

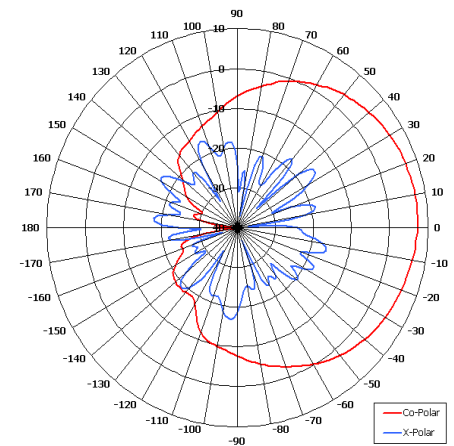
Pattern - Directional

Suitable for Security Applications

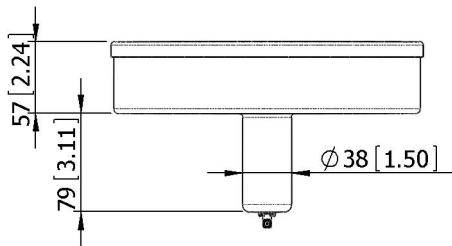
Compact



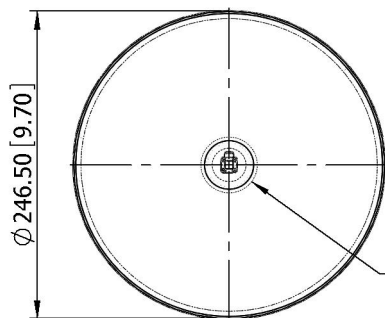
Azimuth Pattern



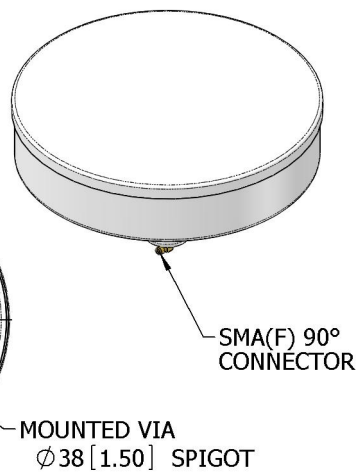
Elevation Pattern



**SIDE VIEW**



**BASE VIEW**



**GA: 0170**

### ELECTRICAL

Frequency	500 MHz - 3.0 GHz
Gain	1 dBiC @ 500 MHz/4-6 dBiC @ 1-3 GHz Nom
Polarisation	Right Hand Circular
Beamwidth	70° (Az) x 90° (El) Approx
Axial Ratio	1 - 3 dB Typ
VSWR	2:1 Max over 750 MHz - 3 GHz 2.5:1 Max over 500 - 750 MHz
Power Rating	2-5 W
Front to Back	15 - 20 dB

### MECHANICAL

Standard Finish	Gloss White
Mass	1 Kg
Temperature	-20° to +50°C
Wind Loading	7.3 Kg (16.1 lbs) @ 100 mph

### MOUNTING OPTIONS

Kits Available	N/A
See separate data sheets	

### ADDITIONAL NOTES

Issued 130510

European Antennas Limited trading as Cobham Antenna Systems, Microwave Antennas

European Antennas Limited has a policy of continuous development and stress that the information provided is a guide only and does not constitute an offer or contract or part thereof. Whilst every effort is made to ensure the accuracy of the information contained in this brochure, no responsibility can be accepted for any errors or omissions.

The copyright of antenna designs and images is copyright protected and owned by European Antennas Limited.  
©European Antennas Limited

For further information please contact:

Cobham Antenna Systems, Microwave Antennas  
Lambda House, Cheveley,  
Newmarket, Suffolk CB8 9RG, UK.  
Tel +44 (0)1638 732 177  
Fax +44 (0) 1638 731999  
Email newmarket.sales@cobham.com