

# LPA7X-25R/046

# COBHAM

## Rugged Directional Antenna

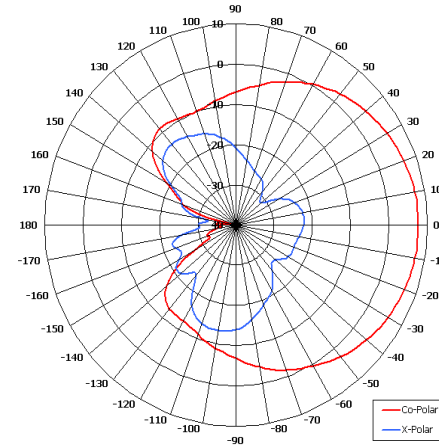
The most important thing we build is trust

Designed for Security Applications

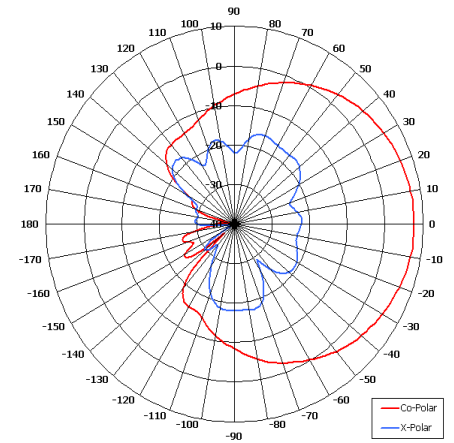
Suitable for Multiple Applications

Right Hand Circular Polarised

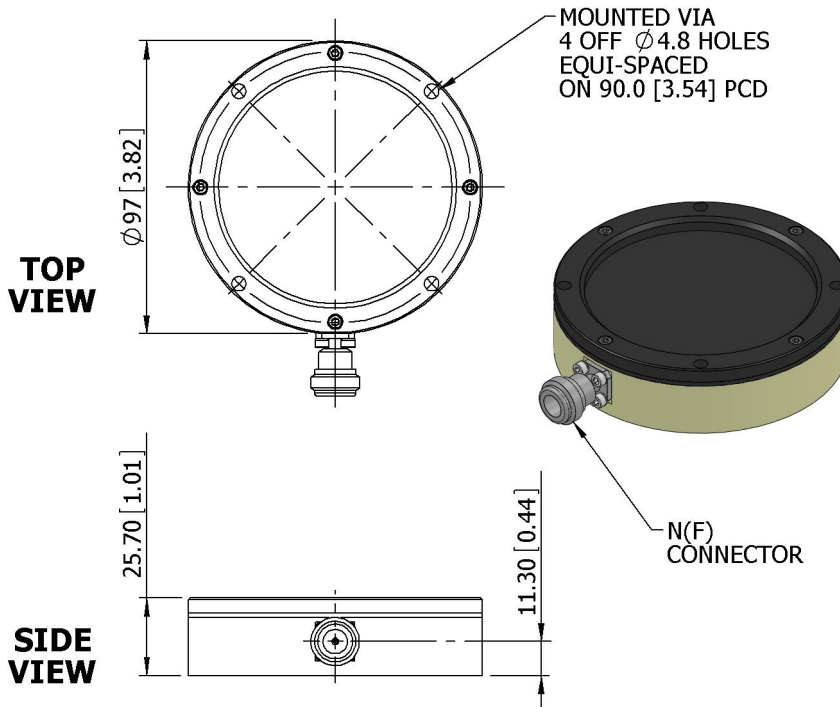
Heavy Duty



Azimuth Pattern



Elevation Pattern



**GA: 0046**

### ELECTRICAL

Frequency	2.30 - 2.70 GHz
Gain	7 dBi Nom
Polarisation	Right Hand Circular
Beamwidth	80° (Az) x 80° (El)
Axial Ratio	3 dB Typ
VSWR	1.5:1
Power Rating	10 W
Front to Back	20 dB Typ

### MECHANICAL

Standard Finish	Matt Black
Mass	0.3 Kg (0.66 lbs)
Temperature	-20° to +50°C
Wind Loading	1.2 Kg (2.6 lbs) @ 100mph

### MOUNTING OPTIONS

Kits Available	N/A
See separate data sheets	

### ADDITIONAL NOTES

Issued 120310

European Antennas Limited trading as Cobham Antenna Systems, Microwave Antennas

European Antennas Limited has a policy of continuous development and stress that the information provided is a guide only and does not constitute an offer or contract or part thereof. Whilst every effort is made to ensure the accuracy of the information contained in this brochure, no responsibility can be accepted for any errors or omissions.

The copyright of antenna designs and images is copyright protected and owned by European Antennas Limited.  
©European Antennas Limited

For further information please contact:

Cobham Antenna Systems, Microwave Antennas  
Lambda House, Cheveley,  
Newmarket, Suffolk CB8 9RG, UK.  
Tel +44 (0)1638 732 177  
Fax +44 (0) 1638 731999  
Email [antennasystems.ma@cobham.com](mailto:antennasystems.ma@cobham.com)