

SHARK FIN ANTENNA

SHARK FIN 1500/055

ELECTRICAL

FREQUENCY:	1.45 - 1.55 GHz
GAIN:	2 dBi
POLARISATION:	Linear (Vertical)
BEAMWIDTH:	360° (Az) x 80° (El)
CROSS POLAR:	18 dB
VSWR:	1.5:1 Typ., 2:1 Max.
POWER RATING:	10 W
FRONT TO BACK:	N/A
ELECTRICAL TILT:	N/A

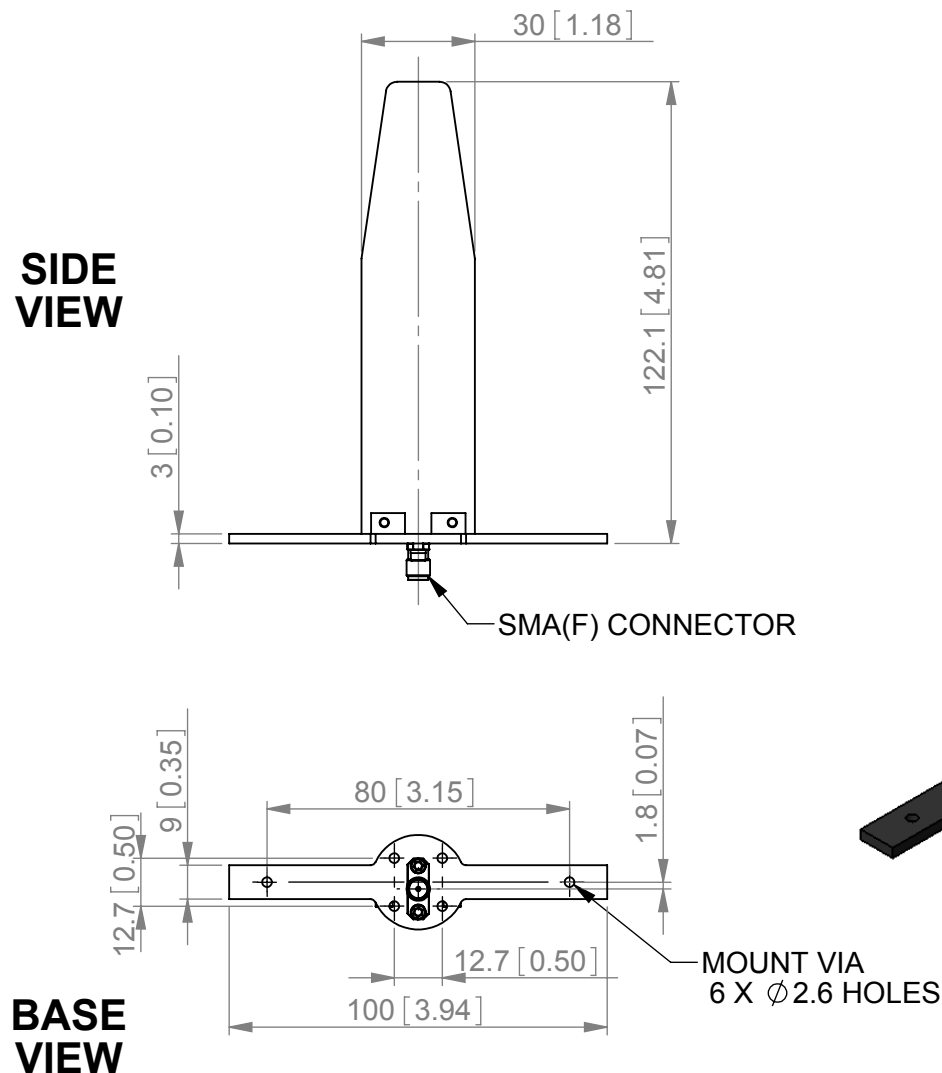
MECHANICAL

STANDARD FINISH:	Matt Black
MASS:	60 g / 2.1 ozs
TEMPERATURE:	-20° to +50°C
WIND LOADING:	N/A

MOUNTING OPTIONS

KITS AVAILABLE:	N/A
See Separate Data Sheets	

GA: 055-2 Issued: 020909
DIMENSIONS: mm [inches]



European Antennas Ltd. has a policy of continuous development and therefore stress that the data contained on this sheet should be used for guidance only.

European Antennas Ltd is part of Cobham Defence Electronic Systems



Certificate No 9263

European Antennas Ltd
Lambda House, Cheveley
Newmarket, Suffolk, CB8 9RG, UK
Tel: +44 (0)1638 731888
sales@european-antennas.co.uk
www.european-antennas.co.uk