

HELICAL ANTENNA AMPH-13-13R/045



ELECTRICAL

FREQUENCY:	1.0 - 1.5 GHz
GAIN:	13 dBiC Nominal
POLARISATION:	Right Hand Circular
BEAMWIDTH:	40° (Az) x 40° (El) Approx
AXIAL RATIO:	2.0 dB
VSWR:	1.5:1 Typical, 2:1 Max.
POWER RATING:	20 W
FRONT TO BACK:	20 dB

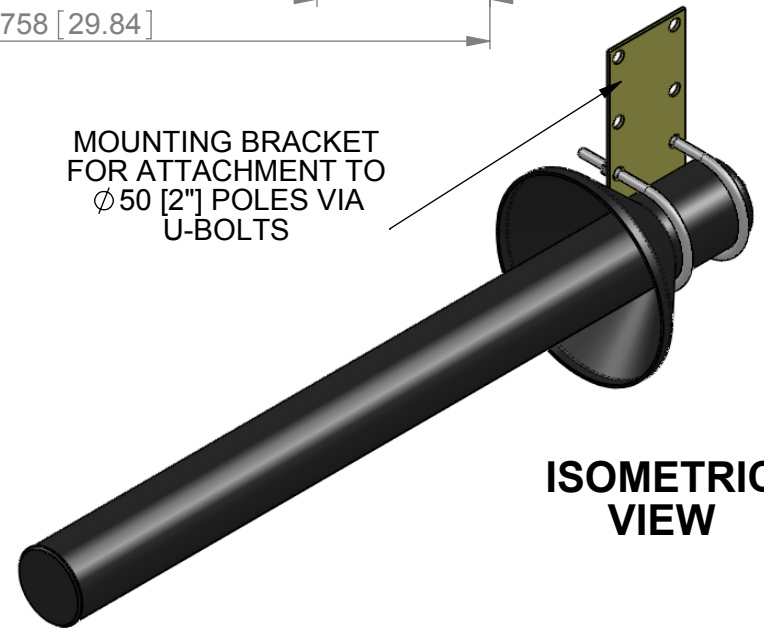
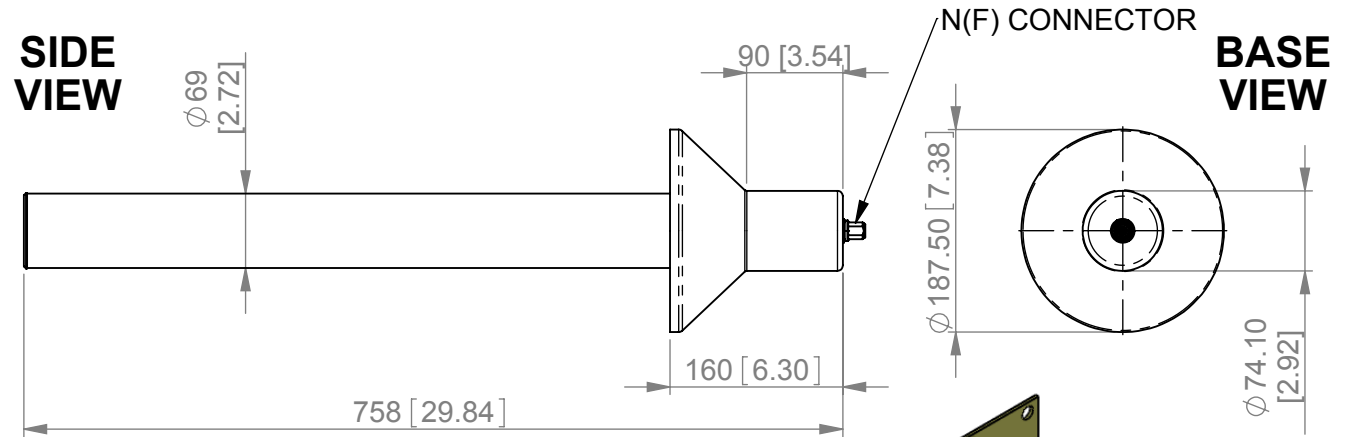
MECHANICAL

STANDARD FINISH:	Matt Black
MASS:	2.0 Kg / 4.4 lbs
TEMPERATURE:	-20° to +50°C
WIND LOADING:	9.0 Kg / 19.8 lbs @ 100 mph

MOUNTING OPTIONS

KITS AVAILABLE:	Included
See Separate Data Sheets	

GA: 045-3 Issued: 231208
 DIMENSIONS: mm [inches] L



AMPH-13-13R/045

European Antennas Ltd. has a policy of continuous development and therefore stress that the data contained on this sheet should be used for guidance only.

European Antennas Ltd is part of Cobham Defence Electronic Systems



Certificate No 9268

European Antennas Ltd
 Lambda House, Cheveley
 Newmarket, Suffolk, CB8 9RG, UK
 Tel: +44 (0)1638 731888
sales@european-antennas.co.uk
www.european-antennas.co.uk