

HELIX ANTENNA AMHP12-860R/009



ELECTRICAL

FREQUENCY:	750 - 950 MHz
GAIN:	9.5 dBiC Typical
POLARISATION:	Right Hand Circular
BEAMWIDTH:	55° (Az) x X55° (El)
AXIAL RATIO:	1 dB Typical
VSWR:	1.5:1
POWER RATING:	25 W
FRONT TO BACK:	15 dB

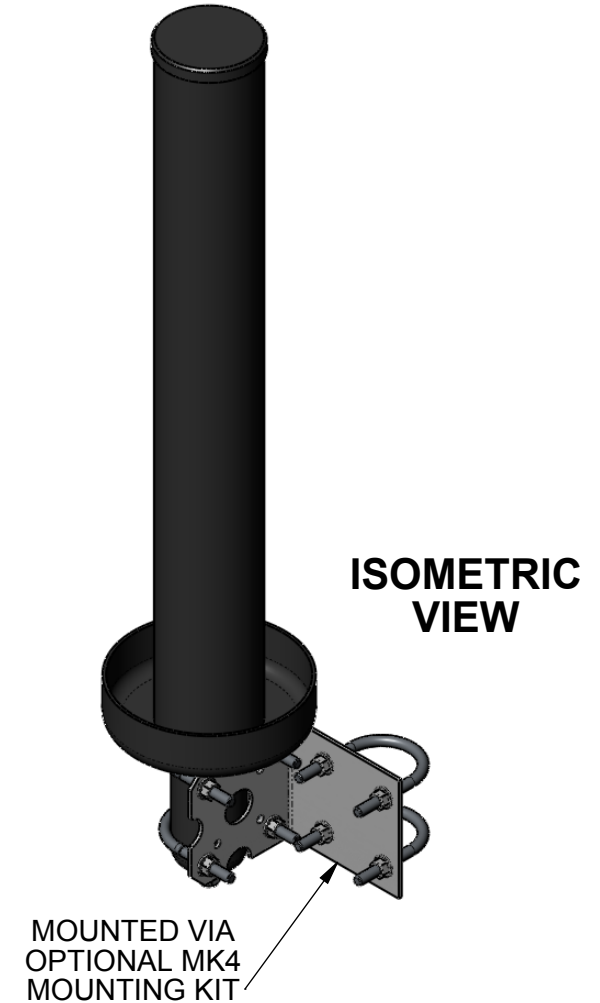
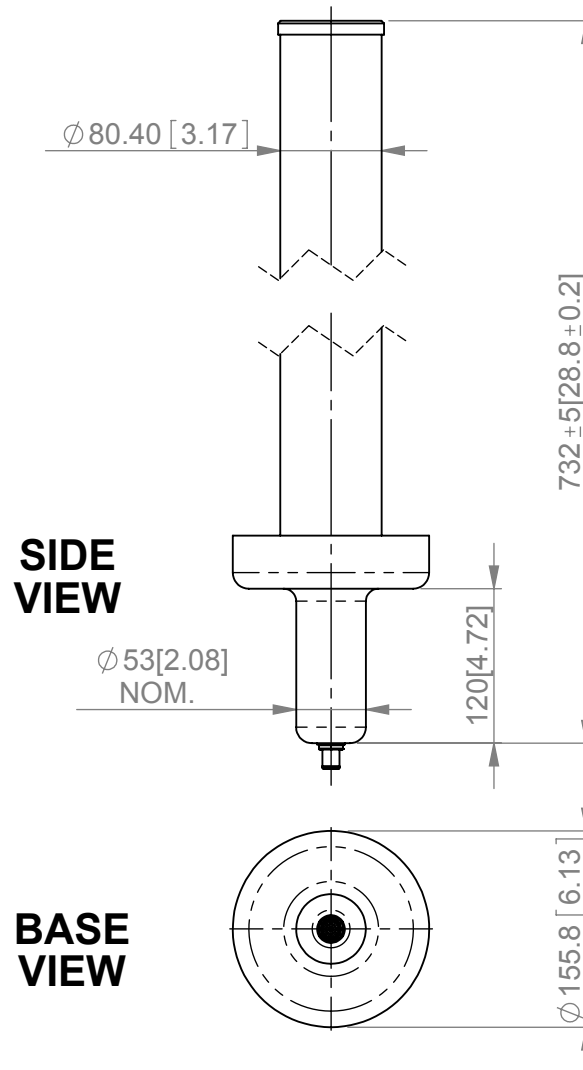
MECHANICAL

STANDARD FINISH:	Matt Black
MASS:	3.0 Kg / 6.6 lbs
TEMPERATURE:	-20° to +50°C
WIND LOADING:	9.1 Kg / 20.1 lbs @ 100 mph

MOUNTING OPTIONS

KITS AVAILABLE: MK4
See Separate Data Sheets

GA: 009-2 Issued: 080108
DIMENSIONS: mm [inches] M



AMHP12-860R/009

European Antennas Ltd. has a policy of continuous development and therefore stress that the data contained on this sheet should be used for guidance only.

European Antennas Ltd. is part of the Cobham Antennas Division



Certificate No 9268

European Antennas Ltd
Lambda House, Cheveley
Newmarket, Suffolk, CB8 9RG, UK
Tel: +44 (0)1638 731888
sales@european-antennas.co.uk
www.european-antennas.co.uk