

RIGHT HAND CIRCULAR POLARISED OMNI ANTENNA RCO3-2460-502/092



ELECTRICAL

FREQUENCY:	2.40 - 2.55 GHz
GAIN:	3 dBiC
POLARISATION:	Right Hand Circular
BEAMWIDTH:	360° (Az) x 70° (Ei)
AXIAL RATIO:	3.0 dB Typical
VSWR:	1.5:1
POWER RATING:	10 W
FRONT TO BACK:	N/A

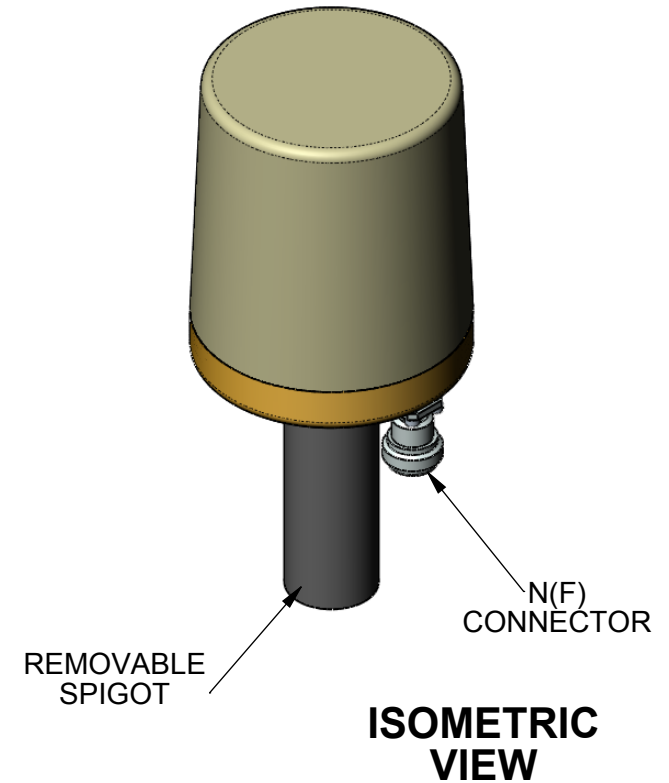
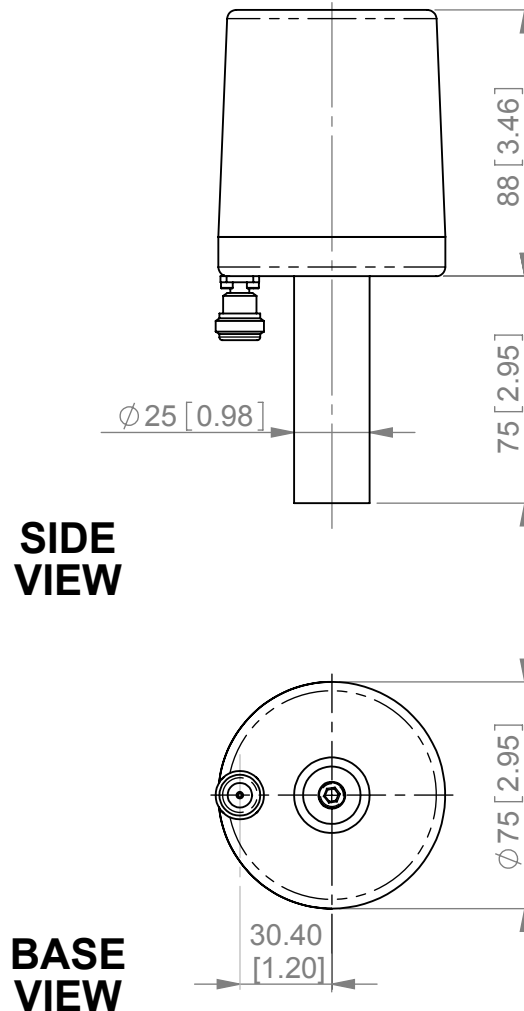
MECHANICAL

STANDARD FINISH:	Beige Polypropylene
MASS:	300 g / 10 oz
TEMPERATURE:	-20° to +50°C
WIND LOADING:	1.1 Kg / 2.35 lbs @ 100 mph

MOUNTING OPTIONS

KITS AVAILABLE:	MK2345
See Separate Data Sheets	

GA: 092-3 Issued: 171108
DIMENSIONS: mm [inches] H



RCO3-2460-502/092

European Antennas Ltd. has a policy of continuous development and therefore stress that the data contained on this sheet should be used for guidance only.

European Antennas Ltd is part of Cobham Defence Electronic Systems



Certificate No 9268

European Antennas Ltd
Lambda House, Cheveley
Newmarket, Suffolk, CB8 9RG, UK
Tel: +44 (0)1638 731888
sales@european-antennas.co.uk
www.european-antennas.co.uk