

SHROUDED HELIX ANTENNA AMHS14-15R/028



ELECTRICAL

FREQUENCY:	1.30 - 1.70 GHz
GAIN:	13 - 15 dBiC
POLARISATION:	Right Hand Circular
BEAMWIDTH:	35° (Az) x 35° (El) Typical
AXIAL RATIO:	2.0 dB
VSWR:	1.5:1
POWER RATING:	20 W
FRONT TO BACK:	20 dB

MECHANICAL

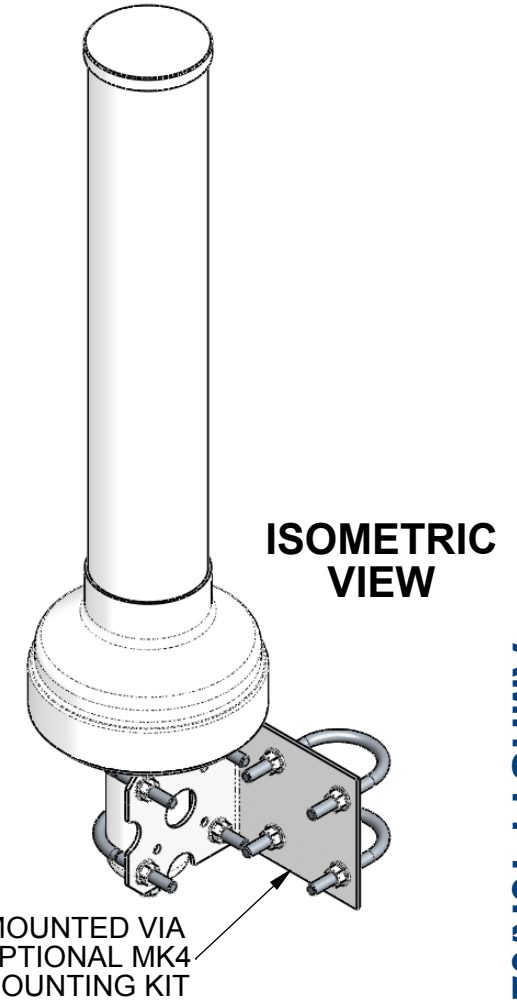
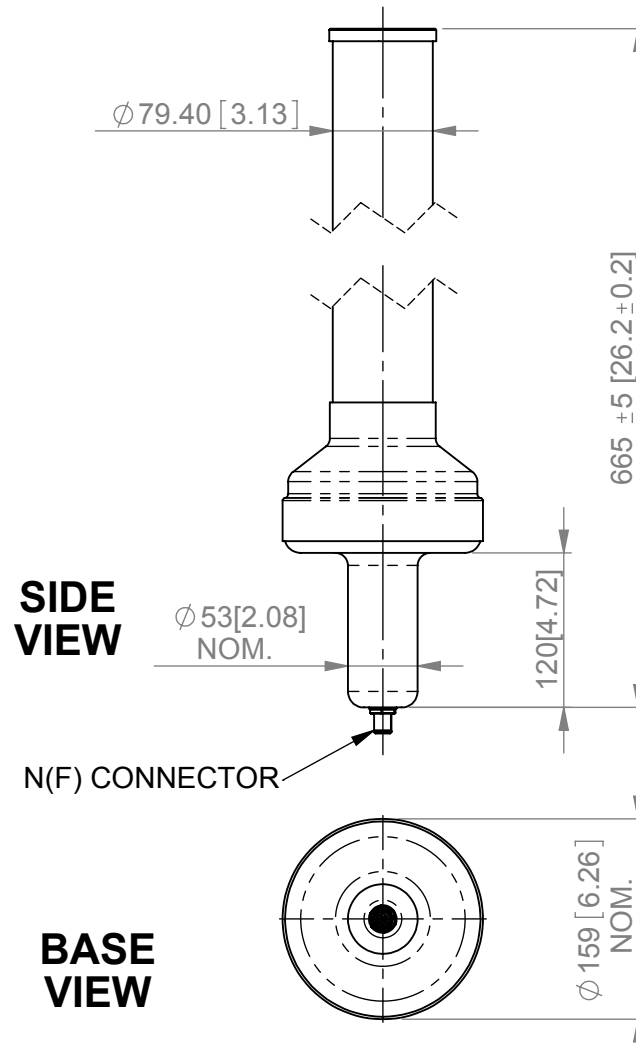
STANDARD FINISH:	Gloss White
MASS:	2.0 Kg / 4.4 lbs
TEMPERATURE:	-20° to +50°C
WIND LOADING:	5.8 Kg / 12.8 lbs @ 100 mph

MOUNTING OPTIONS

KITS AVAILABLE: MK4

See Separate Data Sheets

GA: 028-3 Issued: 211207
DIMENSIONS: mm [inches] L



AMHS14-15R/028

European Antennas Ltd. has a policy of continuous development and therefore stress that the data contained on this sheet should be used for guidance only.

European Antennas Ltd. is part of the Cobham Antennas Division



Certificate No 9268

European Antennas Ltd
Lambda House, Cheveley
Newmarket, Suffolk, CB8 9RG, UK
Tel: +44 (0)1638 731888
sales@european-antennas.co.uk
www.european-antennas.co.uk