



# EUROPEAN ANTENNAS

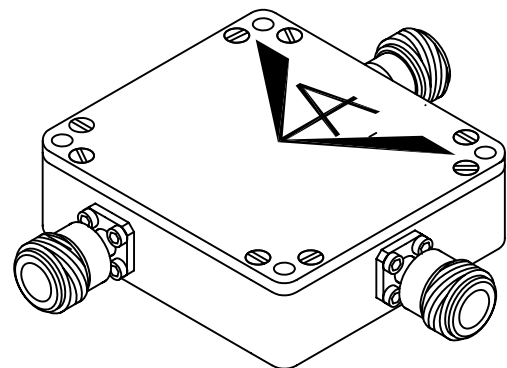
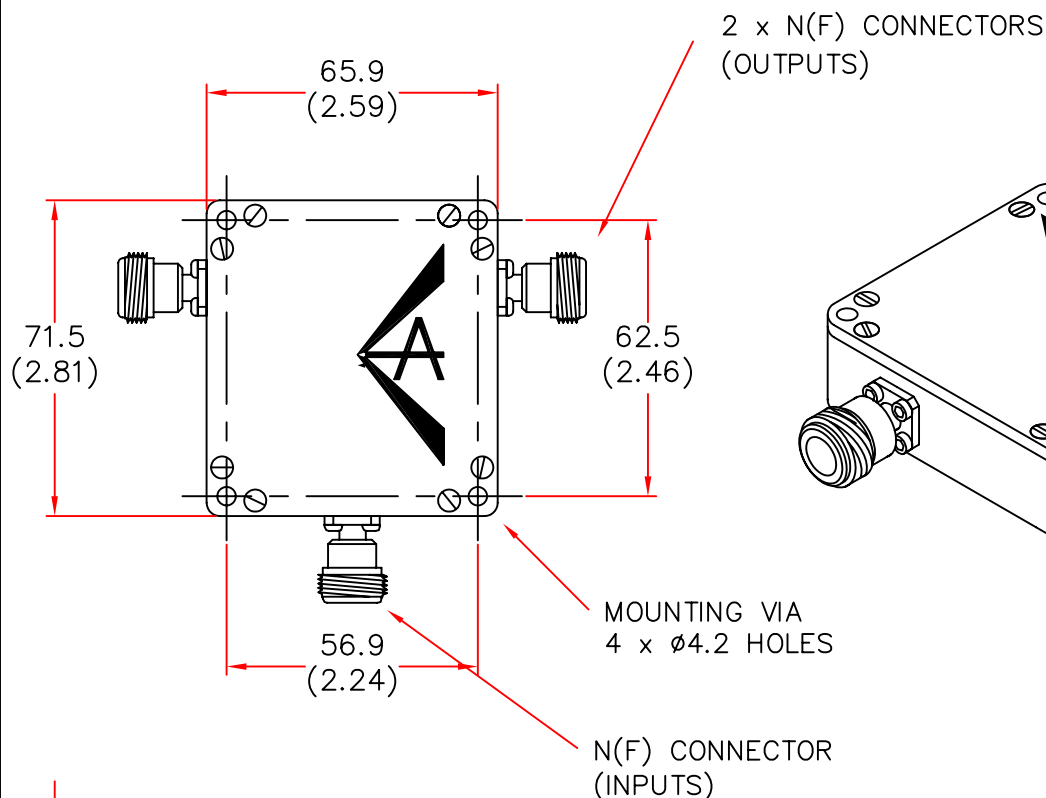


## POWER DIVIDER

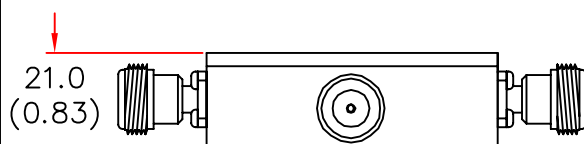
MODEL: 2PDE-15-N/134

|   |  |
|---|--|
| FREQUENCY: 1.30 - 1.70 GHz                  | POWER RATING (Matched Outputs): 2 x 10 W |
| POWER SPLIT: Equal Amplitude & Phase        | VSWR: 1.2 : 1 All Ports                  |
| INSERTION LOSS (Above Split Loss): 1 dB Max | MASS: 250 g/8.8 oz                       |
| ISOLATION BETWEEN OUTPUTS: 18 dB            | HOUSING: Machined Aluminium              |
| TEMPERATURE: -20°C to +50°C                 | FINISH: Alocrom 1200, O-Ring Sealed      |

### PLAN VIEW



### ISOMETRIC VIEW



### SIDE VIEW

DIMENSIONS: mm (inches)  
GA 0134 ISSUE 280697

EUROPEAN ANTENNAS LTD.

TEL: +44 (0)1638 731888

LAMBDA HOUSE, CHEVELEY,  
NEWMARKET, SUFFOLK, CB8 9RG,  
UNITED KINGDOM.

FAX: +44 (0)1638 731999

European Antennas Ltd. has a policy of continuous development and therefore stress that the data contained on this sheet should be used for guidance only.