



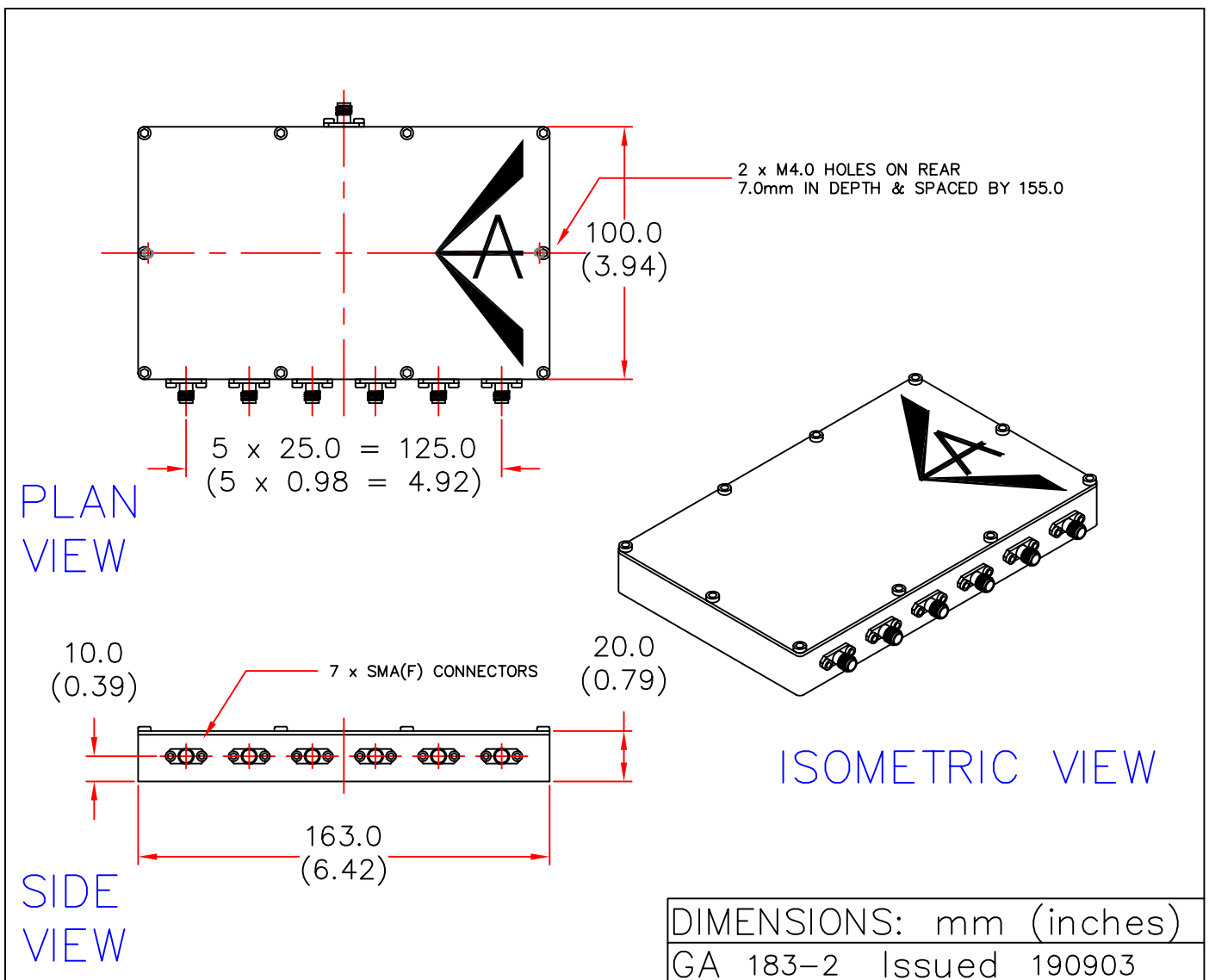
# EUROPEAN ANTENNAS



## 6-WAY POWER DIVIDER

MODEL: MC6-1080-02/183

FREQUENCY: 960 -1215 MHz	POWER RATING: 300W Peak (32.4 average)
POWER SPLIT: 1:6	AMPLITUDE BALANCE: 0.25 dB Max. (any pair of inputs)
INSERTION LOSS: 8.5 dB Max.	VSWR: 1.5:1 Max. (all 7 ports)
TEMPERATURE: -10°C to +70°C	MATING LOAD & SOURCE VSWR: 2:1 Max
PHASE BALANCE: 5° Max.	ISOLATION: 17 dB min.
CONNECTORS: 7 x SMA(F) Connectors	HOUSING: Aluminium (Alocrom 1200 plated)



EUROPEAN ANTENNAS LTD.

TEL: +44 (0)1638 731888

LAMBDA HOUSE, CHEVELEY,  
NEWMARKET, SUFFOLK, CB8 9RG,  
UNITED KINGDOM.

FAX: +44 (0)1638 731999

European Antennas Ltd. has a policy of continuous development and therefore stress that the data contained on this sheet should be used for guidance only.