



# EUROPEAN ANTENNAS

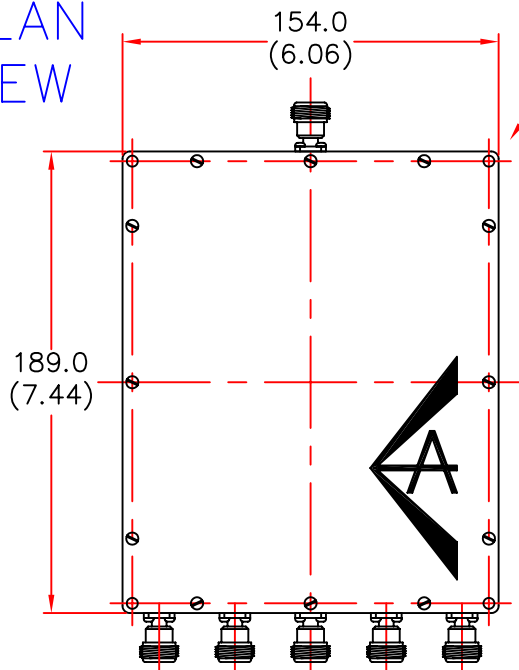


## 5-WAY POWER DIVIDER (HIGH POWER)

MODEL: HC5-1080-02/012

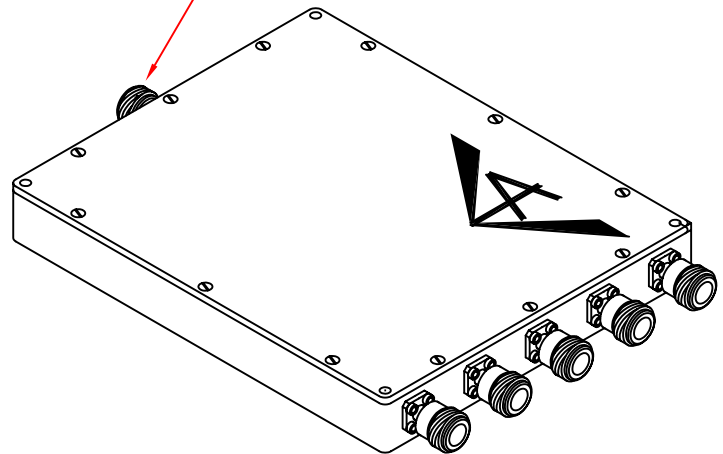
FREQUENCY: 960 - 1215 MHz	POWER RATING: 5 x 1.0 kW nom. 5 x 1.5 kW abs. max
POWER SPLIT: 1 : 5	AMPLITUDE BALANCE: 0.4 dB max (any pair of inputs)
INSERTION LOSS: 0.5 dB r.m.s. max.	LOAD & SOURCE VSWR: 2 : 1 max
TEMPERATURE: -10°C to +70°C	ISOLATION: 12 dB min. (ports 3 & 5) 18 dB min. (all 9 other pairs) 14 dB min. (inputs) 14 dB min. (outputs)
PHASE BALANCE: 5° max (any pair of inputs)	
CONNECTORS: 6 x N-Type (Female)	
HOUSING: Aluminium (Alocrom 1200 plated)	

PLAN  
VIEW

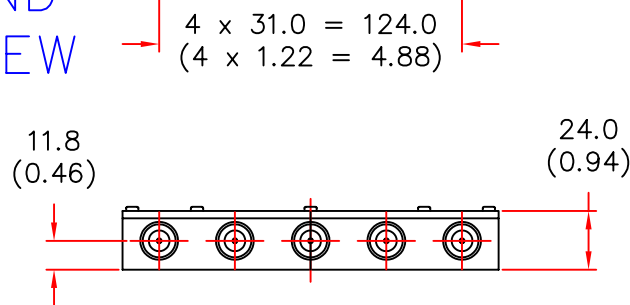


MOUNTING VIA 4 x M4.0 x THRO' HOLES  
ON 154.0 x 189.0 (5.75 x 7.13) CTRS.

6 x N(F) CONNECTORS



END  
VIEW



ISOMETRIC VIEW

DIMENSIONS: mm (inches)

GA 012-1 Issued 240297

EUROPEAN ANTENNAS LTD.

TEL: +44 (0)1638 731888

LAMBDA HOUSE, CHEVELEY,  
NEWMARKET, SUFFOLK, CB8 9RG,  
UNITED KINGDOM.

FAX: +44 (0)1638 731999

European Antennas Ltd. has a policy of continuous development and therefore stress that the data contained on this sheet should be used for guidance only.