



EUROPEAN ANTENNAS

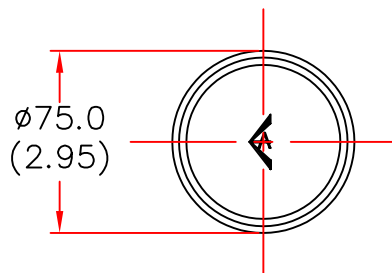


HEMI OMNI ANTENNA

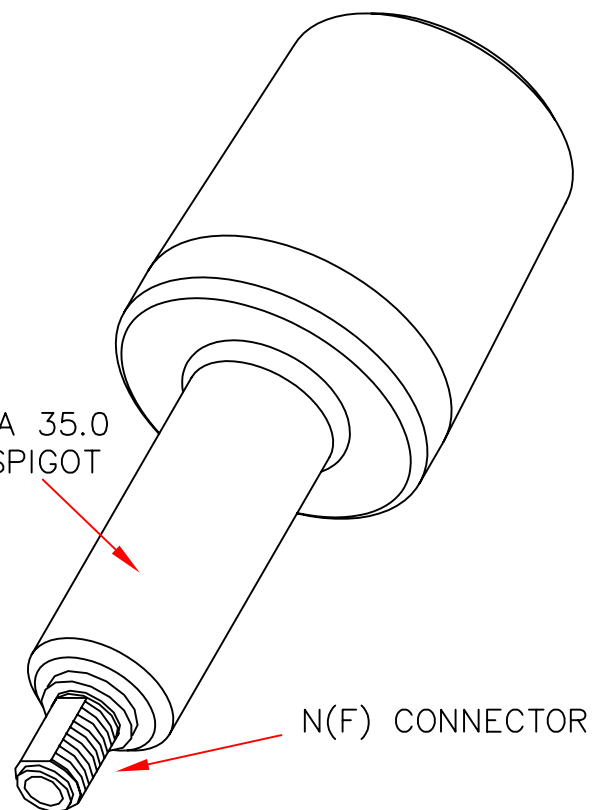
MODEL: HOA2-24R/025

FREQUENCY: 2.30 - 2.60 GHz	GAIN: 2 dBiC
POLARISATION: R.H. Circular	BEAMWIDTH: 160° X 160°
AXIAL RATIO: 3 dB Typical	VSWR: 1.5 : 1
POWER RATING: 15 W	FRONT TO BACK: 15 dB
TEMPERATURE: -20°C to +50°C	MASS: 270 g/0.59 lbs
RADOME: Beige Polypropylene	WIND LOADING: 1.5Kg/3.3lbs @100mph

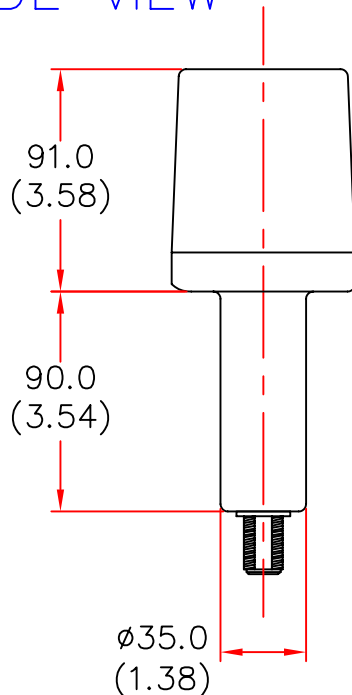
END VIEW



ISOMETRIC VIEW



SIDE VIEW



DIMENSIONS: mm (inches)

GA 025 - 3 Issued 260201

EUROPEAN ANTENNAS LTD.

TEL: +44 (0)1638 731888

LAMBDA HOUSE, CHEVELEY,
NEWMARKET, SUFFOLK, CB8 9RG,
UNITED KINGDOM.

FAX: +44 (0)1638 731999

European Antennas Ltd. has a policy of continuous development and therefore stress that the data contained on this sheet should be used for guidance only.