



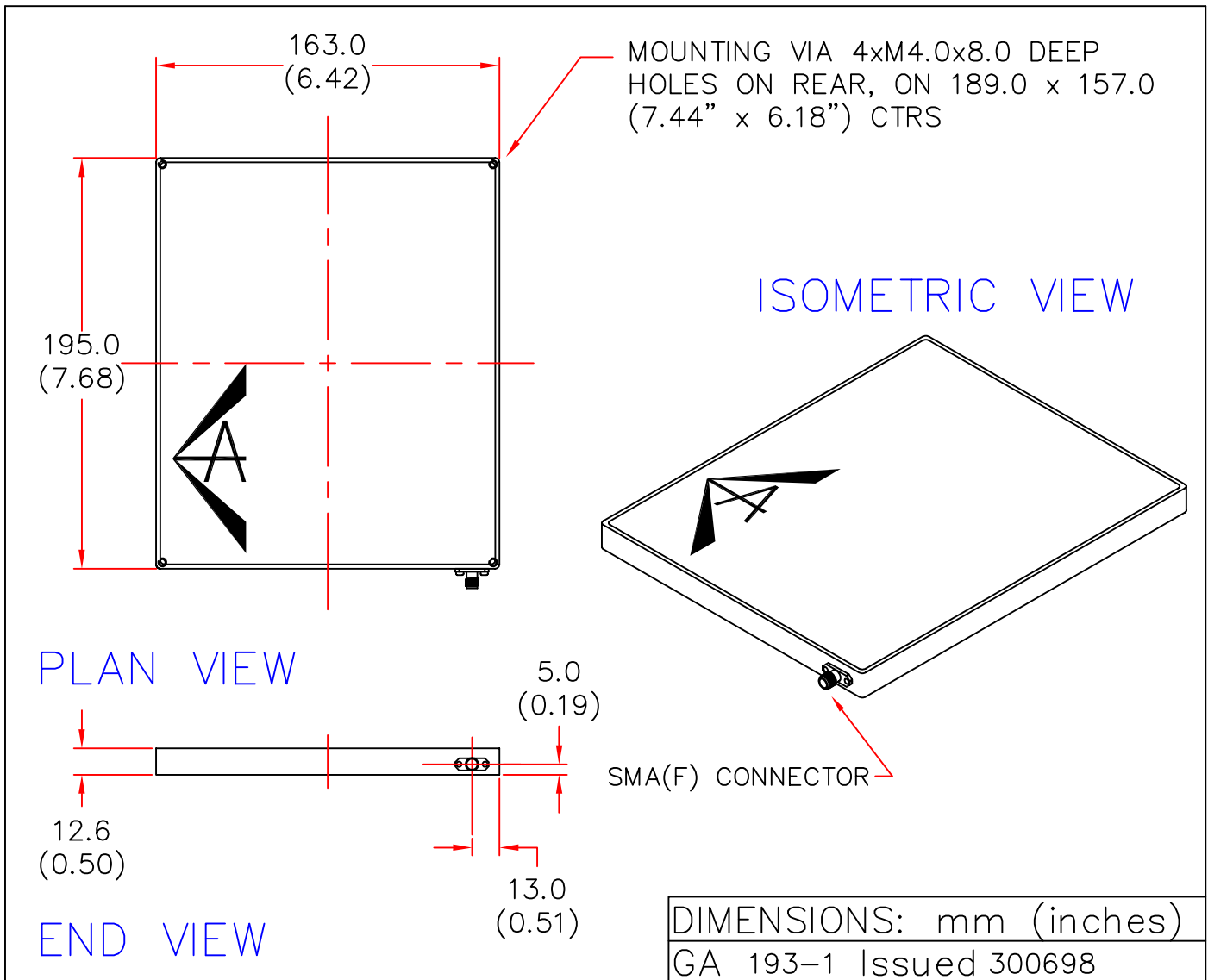
EUROPEAN ANTENNAS



FLAT PLATE ANTENNA

MODEL: FPA13-24R-D2/193

FREQUENCY: 2.3 – 2.6 GHz	GAIN: 13 dBiC
POLARISATION: R.H. Circular	BEAMWIDTH: 40° x 40°
AXIAL RATIO: 3 dB	VSWR: 1.5 : 1
POWER RATING: 20 W	FRONT TO BACK: 20 dB
TEMPERATURE: -20°C to +50°C	MASS: 0.5 Kg/1.1 lbs
RADOME: Glass Fibre/Gloss White	WIND LOADING: 5.2Kg/11.4lbs@100mph



EUROPEAN ANTENNAS LTD.

TEL: +44 (0)1638 731888

LAMBDA HOUSE, CHEVELEY,
NEWMARKET, SUFFOLK, CB8 9RG,
UNITED KINGDOM.

FAX: +44 (0)1638 731999

European Antennas Ltd. has a policy of continuous development and therefore stress that the data contained on this sheet should be used for guidance only.