



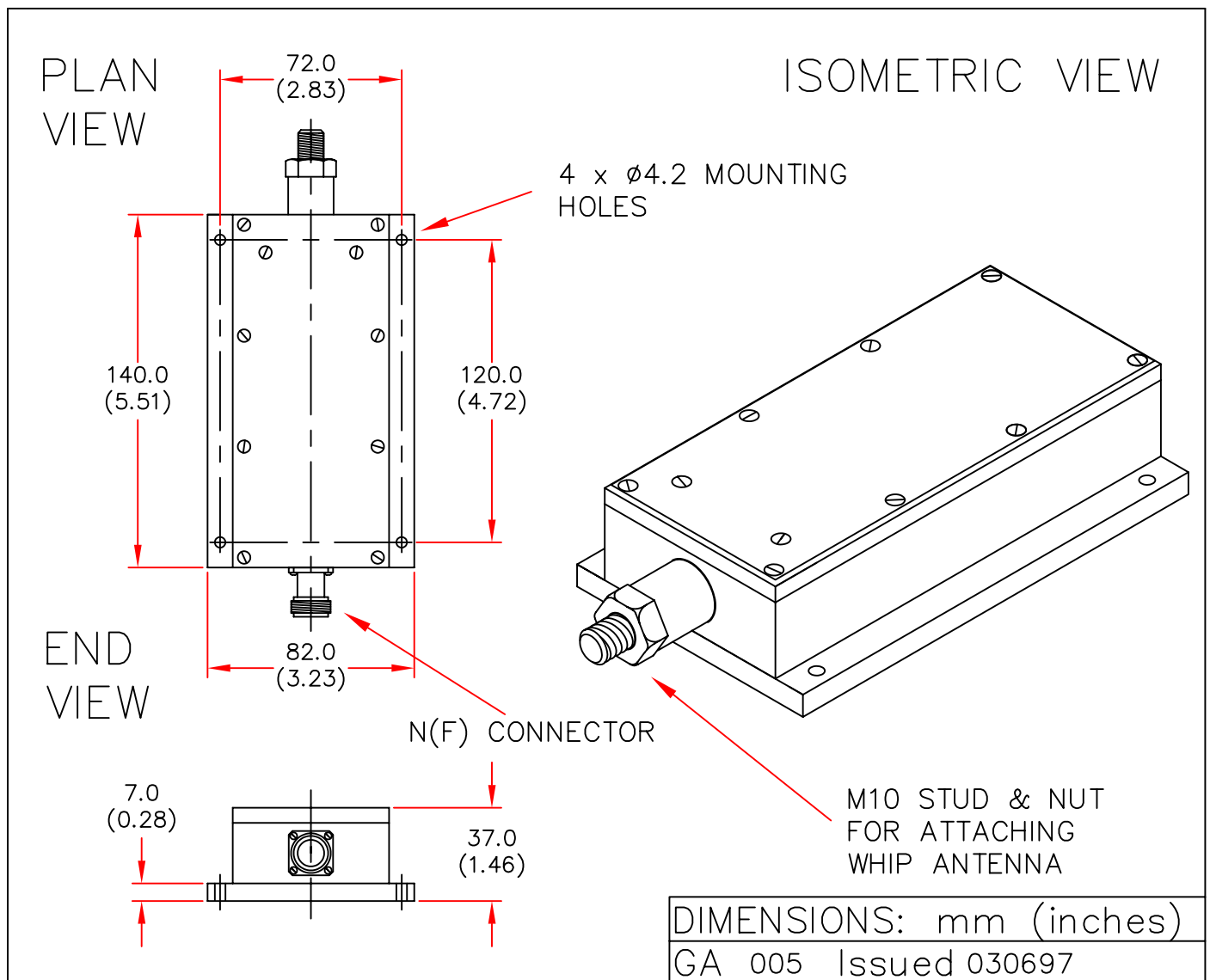
EUROPEAN ANTENNAS



BROADBAND MATCHING UNIT

MODEL: BMU2/005

FREQUENCY: 20 – 200 MHz	VSWR: 2.5 : 1 Max
TEMPERATURE: -20°C to +50°C	MASS: 1.5 Kg/3.3 lbs
POWER RATING: Max 100W continuous when grounded	
EFFICIENCY: 3-50% Dependent upon frequency, length of whip antenna & ground plane configuration	
RECOMMENDED WHIP ANTENNA LENGTH: 0.5 to 2.5 M	
FINISH: Weatherproofed in Aluminium Housing (Alocrom 1200 plated)	



EUROPEAN ANTENNAS LTD.

TEL: +44 (0)1638 731888

LAMBDA HOUSE, CHEVELEY,
NEWMARKET, SUFFOLK, CB8 9RG,
UNITED KINGDOM.

FAX: +44 (0)1638 731999

European Antennas Ltd. has a policy of continuous development and therefore stress that the data contained on this sheet should be used for guidance only.