

FPA 0.5-6.0R/2056

Flat Panel Spiral Antenna

Provisional Specification

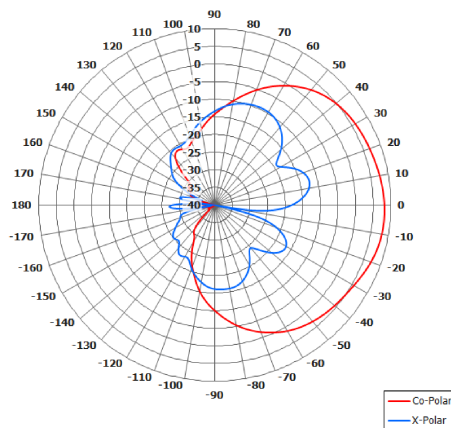
The most important thing we build is trust.

Designed for airborne applications

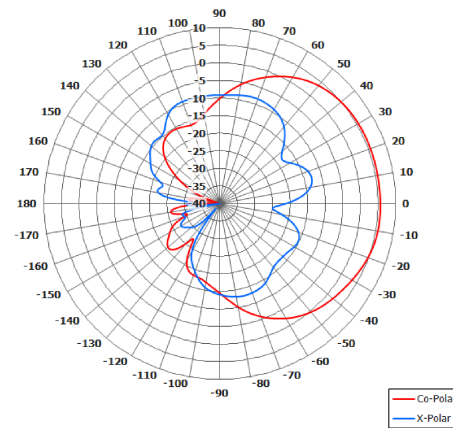
Circular polarised

Ultra wide band

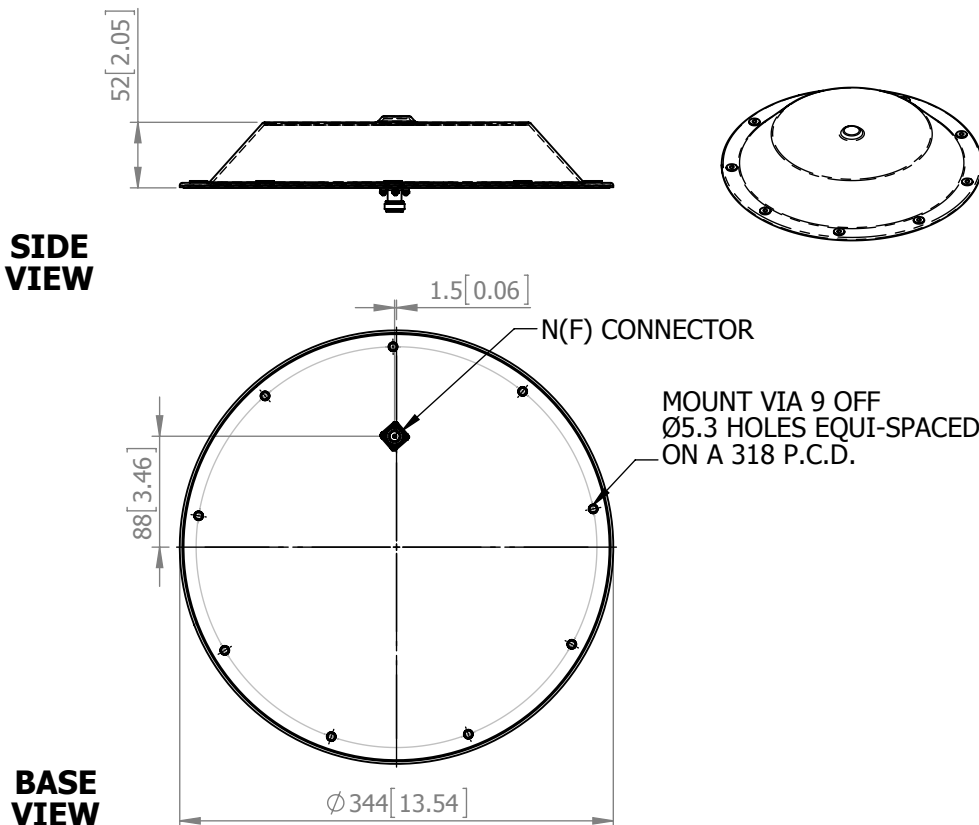
Low profile aerodynamic



Azimuth Polar Plot (similar product)



Elevation Polar Plot (similar product)



ELECTRICAL

Frequency:	0.5 - 6.0 GHz
Gain:	1 to 8 dBiC peak, across the band.
Polarisation:	Right Hand Circular
Beamwidths:	Variable, 45-110°, 65° typ.
Axial Ratio:	>3 dB Typ.
VSWR:	<2:1 Typ, 3.6:1 Max.
Power Rating:	20 W
Front to Back:	>25dB Typ.

MECHANICAL

Standard Finish:	White
Mass:	1.06 Kg (2.33 lbs)
Temperature:	-40° to +55° C

MOUNTING OPTIONS

Kits Available:	XXX
See Separate Data Sheets	

GA: 2056-C Issued: 090914
Dimensions: mm [inches] X (H,M,L)

European Antennas Limited trading as Cobham Antenna Systems, Microwave Antennas

European Antennas Limited has a policy of continuous development and stress that the information provided is a guide only and does not constitute an offer or contract or part thereof. Whilst every effort is made to ensure the accuracy of the information contained in this datasheet, no responsibility can be accepted for any errors or omissions.

The copyright of antenna designs and images is copyright protected and owned by European Antennas Limited.
©European Antennas Limited.

For further information please contact:

Cobham Antenna Systems, Microwave Antennas

Lambda House, Cheveley,
Newmarket, Suffolk. CB8 9RG, UK
Tel +44 (0)1638 732177
Fax +44 (0)1638 731999
E-mail newmarket.sales@cobham.com