

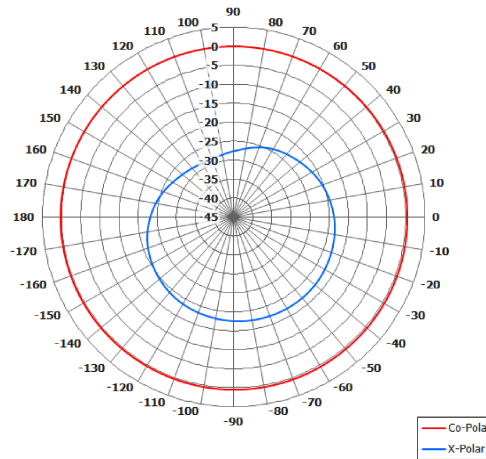
SBA-0.45V/2164

Blade Antenna

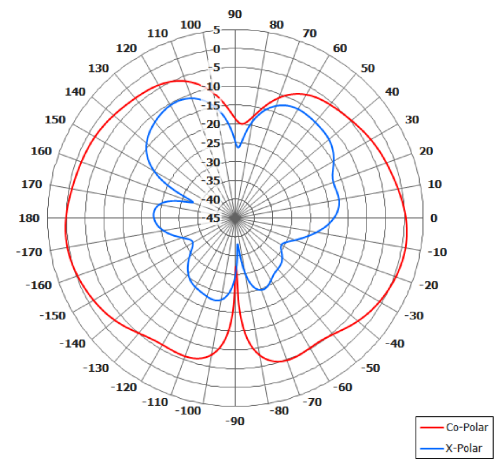
Provisional Specification

The most important thing we build is trust

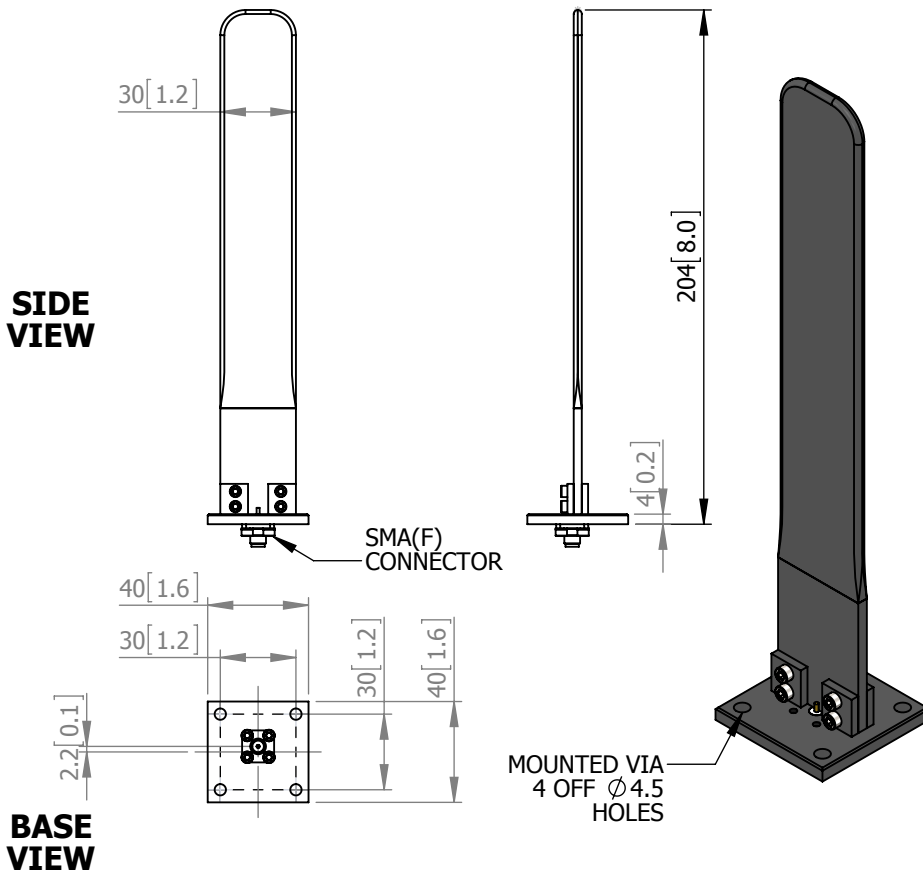
COBHAM



Azimuth Polar Plot



Elevation Polar Plot



ELECTRICAL*

Frequency: 440 - 452 MHz

Gain: 1 dBi Peak

Polarisation: Linear (Vertical)

Beamwidth: 360° (Az) x 55° (El)

Cross Polar: >20 dB Typ.

VSWR: 2.5:1 Max, 2:1 Typ.

Power Rating: 10 W

Front to Back: N/A

MECHANICAL

Standard Finish: Matt Black

Mass: 75g / 2.6 Oz

Temperature: -20° to +50° C

Wind Loading: N/A

MOUNTING OPTIONS

Kits Available: N/A

See Separate Data Sheets

* Performance Measured when on 107 x 107 Ground Plane

GA: 2164-A Issued: 100414

Dimensions: mm [inches] X (H,M,L)

European Antennas Limited trading as Cobham Antenna Systems, Microwave Antennas

European Antennas Limited has a policy of continuous development and stress that the information provided is a guide only and does not constitute an offer or contract or part thereof. Whilst every effort is made to ensure the accuracy of the information contained in this Data Sheet, no responsibility can be accepted for any errors or omissions.

The copyright of antenna designs and images is copyright protected and owned by European Antennas Limited.
©European Antennas Limited.

For further information please contact:

Cobham Antenna Systems, Microwave Antennas, Lambda House, Cheveley, Newmarket, Suffolk, CB8 9RG, UK

T: +44 (0) 1638 732177

E: newmarket.sales@cobham.com

W: www.cobham.com/antennasystems/microwaveantennas