

# SA11-1.4DS/2017

**COBHAM**

## Slant 45 Degree Polrised Sector Antenna

The most important thing we build is trust

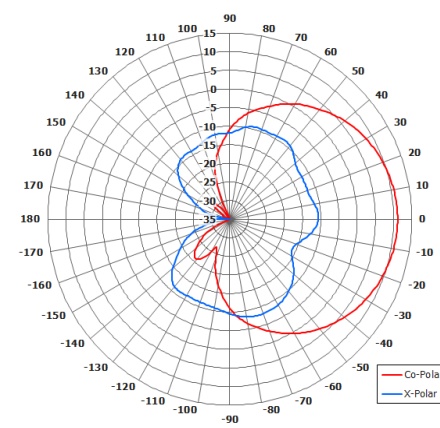
Sector Antenna

Designed for WiMAX/LTE Applications

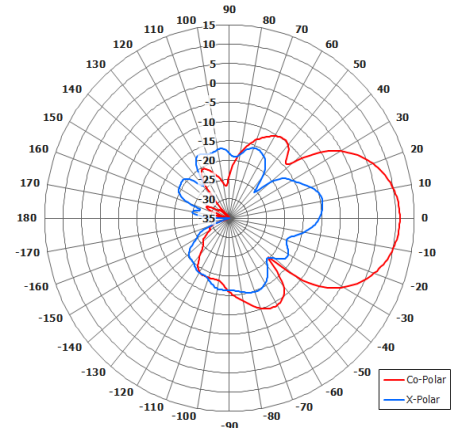
Dual Slant Polarisation

Designed for Integrated Solutions

Suitable for Outdoor Applications



Azimuth Pattern



Elevation Pattern

### ELECTRICAL

Frequency	1.39 - 1.49 GHz
Gain	11 dBi Nom
Polarisation	Dual Slant 45 Degrees
Beamwidth	63° (Az) x 33° (El) Approx
Cross Polar	>18 dB
VSWR	2:1
Power Rating	10 W
Front to Back	30 dB Typ

### MECHANICAL

Standard Finish	Grey Radome
Mass	850g
Temperature	-20° to +55°C
Wind Loading	13.6 Kg (30 lbs) @ 100mph

### MOUNTING OPTIONS

Kits Available	N/A
See separate data sheets	

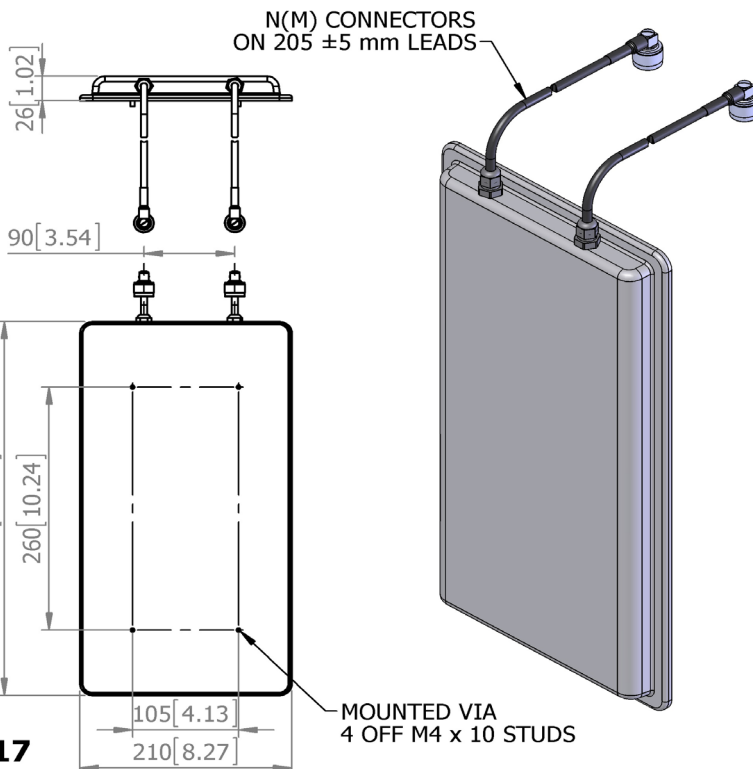
### ADDITIONAL NOTES

Issued 130214

For further information please contact:

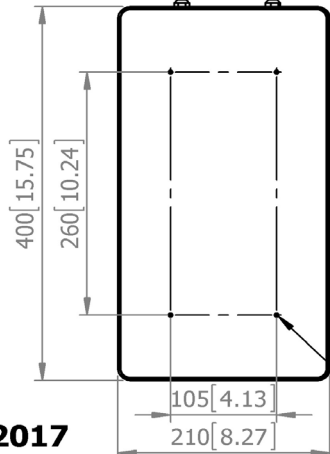
Cobham Antenna Systems, Microwave Antennas  
 Lambda House, Cheveley,  
 Newmarket, Suffolk CB8 9RG, UK.  
 Tel +44 (0)1638 732 177  
 Fax +44 (0) 1638 731999  
 Email newmarket.sales@cobham.com

### SIDE VIEW



### BASE VIEW

GA: 2017



MOUNTED VIA  
 4 OFF M4 x 10 STUDS

European Antennas Limited trading as Cobham Antenna Systems, Microwave Antennas

European Antennas Limited has a policy of continuous development and stress that the information provided is a guide only and does not constitute an offer or contract or part thereof. Whilst every effort is made to ensure the accuracy of the information contained in this brochure, no responsibility can be accepted for any errors or omissions.

The copyright of antenna designs and images is copyright protected and owned by European Antennas Limited.  
 ©European Antennas Limited