

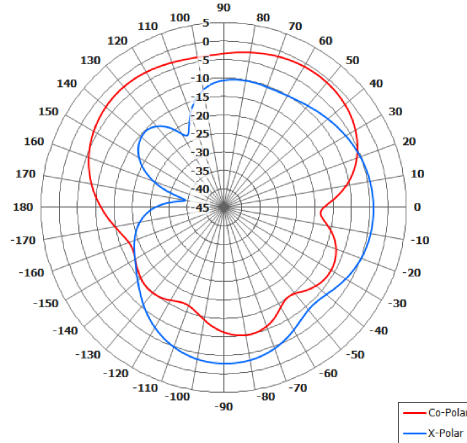
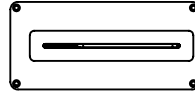
# SBA-2.6DS/2136

Blade Antenna

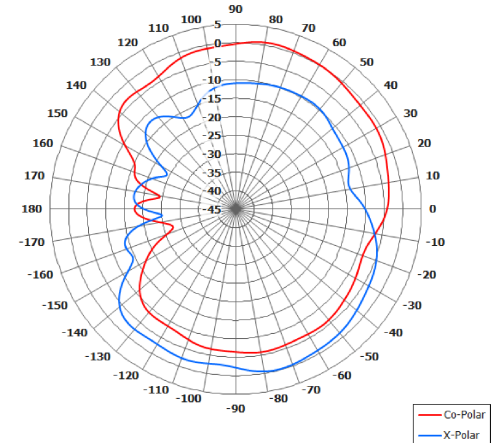
## Provisional Specification



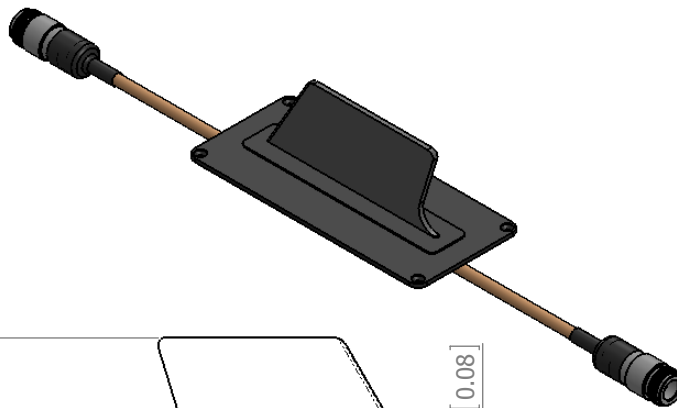
The most important thing we build is trust.



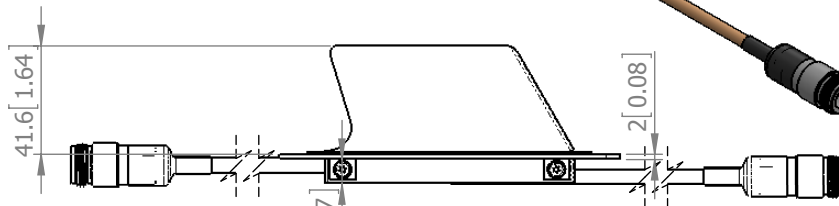
**Azimuth Polar Plot  
(-45° Port Only)**



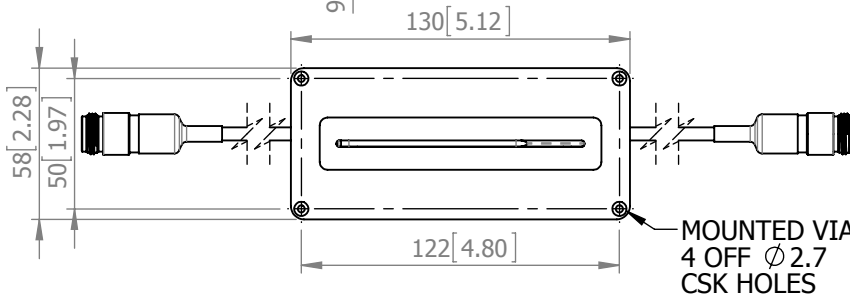
**Elevation Polar Plot  
(+45° Port Only)**



### SIDE VIEW



### BASE VIEW



### ELECTRICAL

Frequency:	2.496 - 2.690 GHz
Gain:	0 dBIC Nom.
Polarisation:	Dual Slant ±45°
Beamwidth:	Omni Directional
VSWR:	2:1
Power Rating:	10 W

### MECHANICAL

Standard Finish:	Matt Black
Mass:	100 g (3.53 oz)
Temperature:	-20° to +50°C
Wind Loading:	N/A

### MOUNTING OPTIONS

Kits Available:	N/A
See Separate Data Sheets	

GA: 2136-A Issued: 031213  
Dimensions: mm [inches] L

European Antennas Limited trading as Cobham Antenna Systems, Microwave Antennas

European Antennas Limited has a policy of continuous development and stress that the information provided is a guide only and does not constitute an offer or contract or part thereof. Whilst every effort is made to ensure the accuracy of the information contained in this datasheet, no responsibility can be accepted for any errors or omissions.

The copyright of antenna designs and images is copyright protected and owned by European Antennas Limited.  
©European Antennas Limited.

For further information please contact:

Cobham Antenna Systems, Microwave Antennas

Lambda House, Cheveley,  
Newmarket, Suffolk. CB8 9RG, UK

Tel +44 (0)1638 732177

Fax +44 (0)1638 731999

E-mail [newmarket.sales@cobham.com](mailto:newmarket.sales@cobham.com)