

HOA2-1.5L/2064

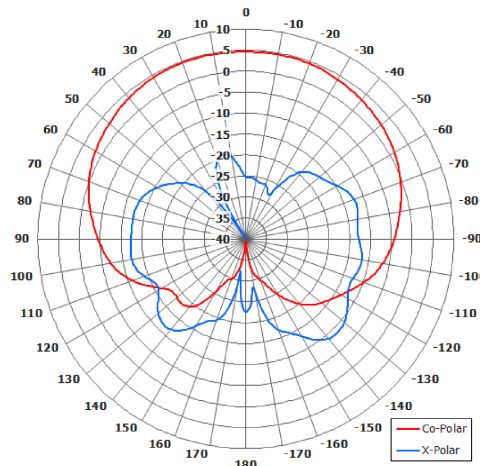
Hemi Omni Antenna



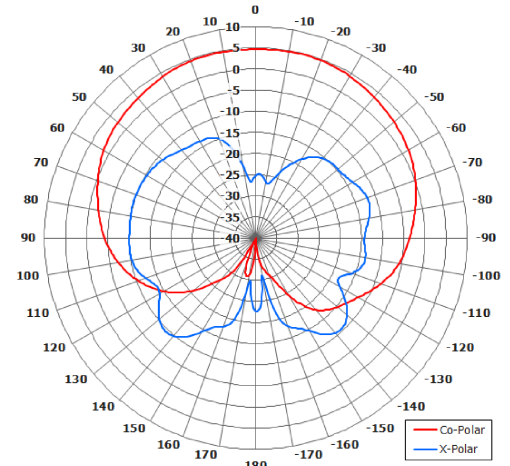
The most important thing we build is trust

Key Features

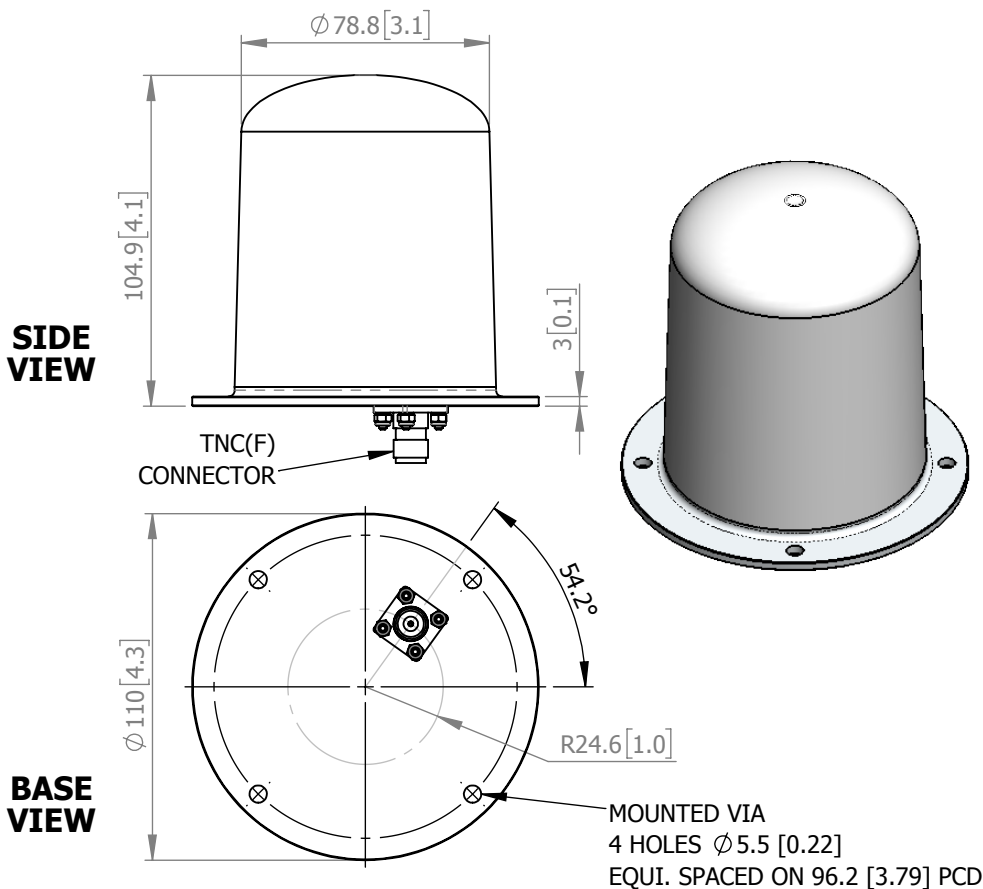
- Designed for L-band Sat Com
- Suitable for multiple applications
- Wide beam coverage



Elevation 1 Polar Plot



Elevation 2 Polar Plot



ELECTRICAL

Frequency:	1.38 - 1.71 GHz
Gain:	4 dBic Nom.
Polarisation:	Left Hand Circular
Beamwidth:	(-3dB) 125° (Az) x 125° (El) Approx. (-5dB) 150° (Az) x 150° (El) Approx.
Axial Ratio:	3 dB Typ. @ 1.38-1.6 GHz 6.5 dB Typ @ 1.6-1.71 GHz
VSWR:	2:1 Max. 1.5:1 Typ.
Power Rating:	15 W

MECHANICAL

Standard Finish:	White
Mass:	200g/7oz Approx.
Temperature:	-20° to +50°C
Wind Loading:	1.34 Kg / 2.96 lbs @ 100 mph

MOUNTING OPTIONS

Kits Available:	None
See Separate Data Sheets	

DS: 2064-1	Issued: 161017
Dimensions: mm [inches]	M

Chelton Limited trading as Cobham Antenna Systems, Microwave Antennas

Chelton Limited has a policy of continuous development and stress that the information provided is a guide only and does not constitute an offer or contract or part thereof. Whilst every effort is made to ensure the accuracy of the information contained in this Data Sheet, no responsibility can be accepted for any errors or omissions.

The copyright of antenna designs and images is copyright protected and owned by Chelton Limited.
©Chelton Limited.

For further information please contact:

Cobham Antenna Systems, Microwave Antennas, Lambda House, Cheveley, Newmarket, Suffolk, CB8 9RG, UK

T: +44 (0) 1638 732177
E: newmarket.sales@cobham.com
W: www.cobham.com/antennasystems/microwaveantennas