

SA16-90-4.7VH/2174

Dual Polar Sector Antenna



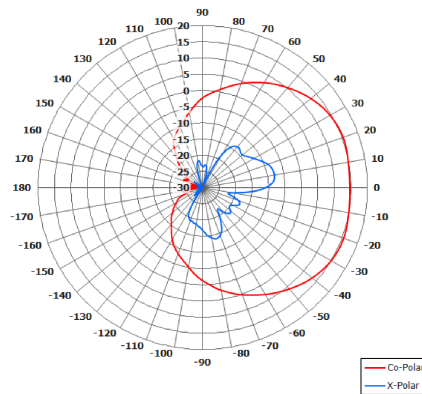
Provisional Specification

The most important thing we build is trust.

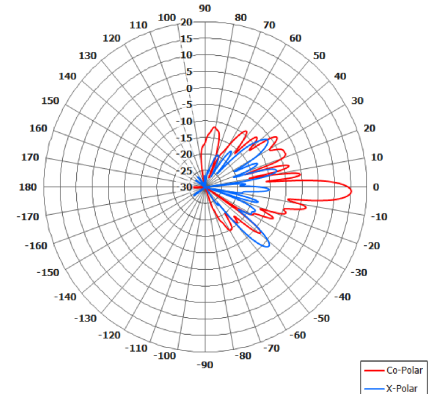
Vertical and Horizontal Polarisations within same aperture.

Good pattern overlay.

UV stable radome which could be painted.



Azimuth Polar Plot

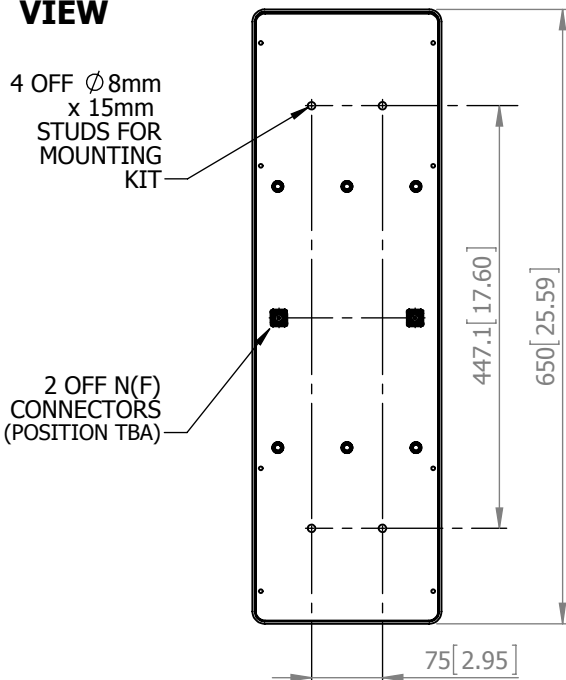


Elevation Polar Plot

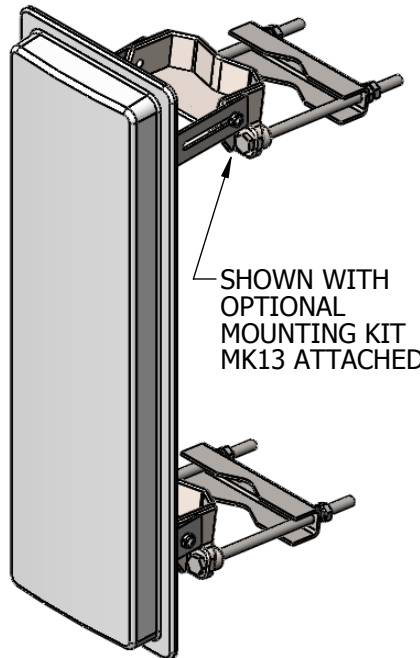
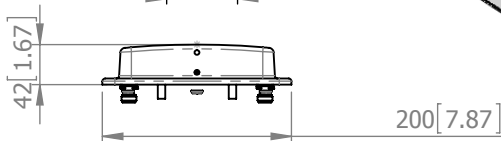
REAR VIEW

4 OFF \varnothing 8mm x 15mm STUDS FOR MOUNTING KIT

2 OFF N(F) CONNECTORS (POSITION TBA)



BASE VIEW



SHOWN WITH OPTIONAL MOUNTING KIT MK13 ATTACHED

ELECTRICAL

Frequency:	4.4 - 5.0 GHz
Gain:	16 dBi Nominal
Polarisation:	Dual Linear (Vertical & Horizontal)
Beamwidth:	90° (Az) x 5.1 - 6.5° (E) Approx.
Cross Polar:	20 dB Min
VSWR:	2:1 Max
Power Rating:	30 W Max.
Front to Back:	>25 dB
Electrical Tilt:	0° Nom.
Isolation:	30dB Min

MECHANICAL

Standard Finish:	White
Mass:	2.3Kg Approx without Mounting Kit
Temperature:	-40° to +60°C
Wind Loading:	21Kg (46lbs) @ 100 mph
Wind Survival:	100 mph

MOUNTING OPTIONS

Kits Available: MK13 Optional

See Separate Data Sheets

GA: 2174-B Issued: 170614
Dimensions: mm [inches] M

European Antennas Limited trading as Cobham Antenna Systems, Microwave Antennas

European Antennas Limited has a policy of continuous development and stress that the information provided is a guide only and does not constitute an offer or contract or part thereof. Whilst every effort is made to ensure the accuracy of the information contained in this datasheet, no responsibility can be accepted for any errors or omissions.

The copyright of antenna designs and images is copyright protected and owned by European Antennas Limited.
©European Antennas Limited.

For further information please contact:

Cobham Antenna Systems, Microwave Antennas

Lambda House, Cheveley,
Newmarket, Suffolk. CB8 9RG, UK

Tel +44 (0)1638 732177

Fax +44 (0)1638 731999

E-mail newmarket.sales@cobham.com