

# SA5-120-0.96-1.22V/1969

# COBHAM

## Sector Antenna

The most important thing we build is trust

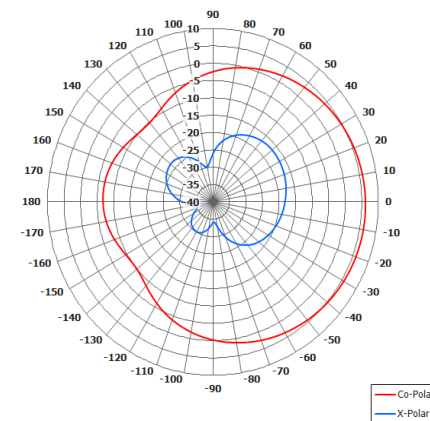
### Rugged Sector Antenna

Designed for Commercial Applications

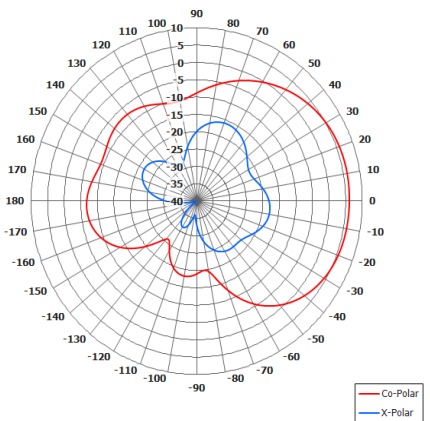
Suitable for Telemetry Applications

Suitable for Ground Based Applications

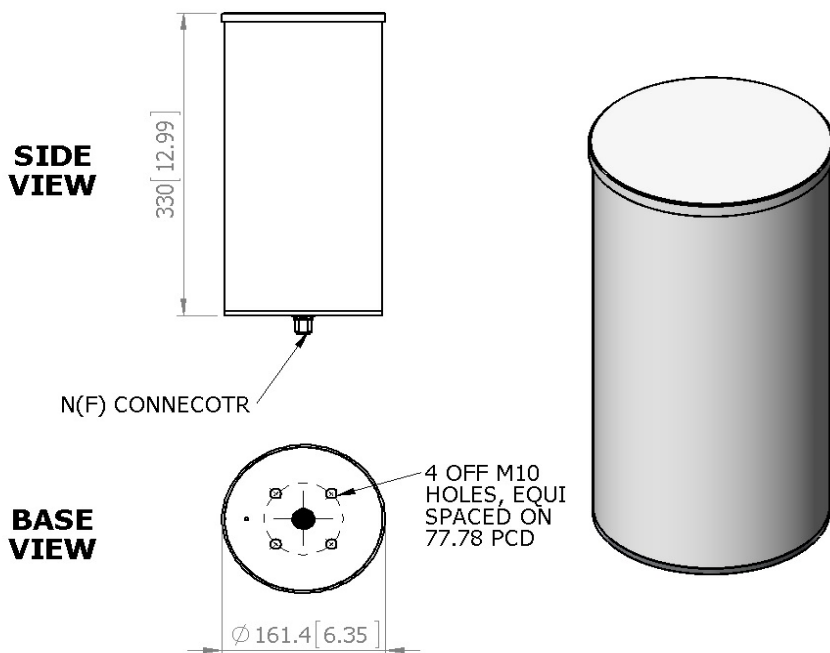
Pattern - Sectorial



Azimuth Pattern



Elevation Pattern



**GA: 1969**

### ELECTRICAL

Frequency	960 - 1220 MHz
Gain	6 dBi Nom
Polarisation	Linear (Vertical)
Beamwidth	113° (Az) x 80° (El) Approx
Cross Polar	>20 dB
VSWR	2:1
Power Rating	50 W
Front to Back	10 dB Typical
Electrical Tilt	3° Up

### MECHANICAL

Standard finish	Grey (RAL 7001)
Mass	1.5 Kg
Temperature	-30° to +55°C
Wind Loading	8.3 Kg (18.2lbs) @ 100mph

### MOUNTING OPTIONS

Kits Available	MK2/C
See separate data sheets	

### ADDITIONAL NOTES

Issued 1504013

European Antennas Limited trading as Cobham Antenna Systems, Microwave Antennas

European Antennas Limited has a policy of continuous development and stress that the information provided is a guide only and does not constitute an offer or contract or part thereof. Whilst every effort is made to ensure the accuracy of the information contained in this brochure, no responsibility can be accepted for any errors or omissions.

The copyright of antenna designs and images is copyright protected and owned by European Antennas Limited.  
©European Antennas Limited

For further information please contact:

Cobham Antenna Systems, Microwave Antennas

Lambda House, Cheveley,

Newmarket, Suffolk CB8 9RG, UK.

Tel +44 (0)1638 732 177

Fax +44 (0) 1638 731999

Email [newmarket.sales@cobham.com](mailto:newmarket.sales@cobham.com)