

# SA7-180-0.32/1954

**COBHAM**

## Sector Antenna

The most important thing we build is trust

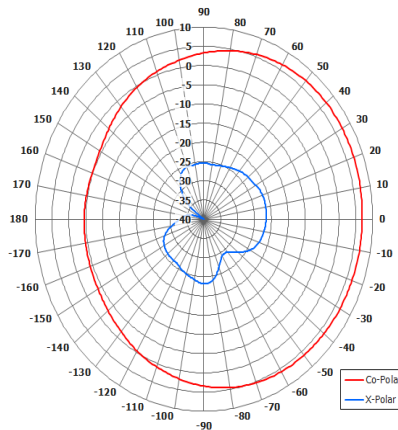
Designed for Security Application

High Power

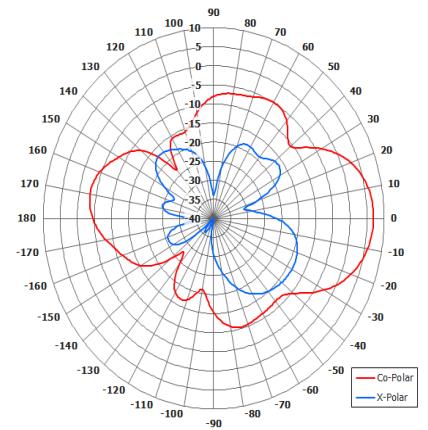
Pattern - Wide Beam

Adjustable Mounting Kit

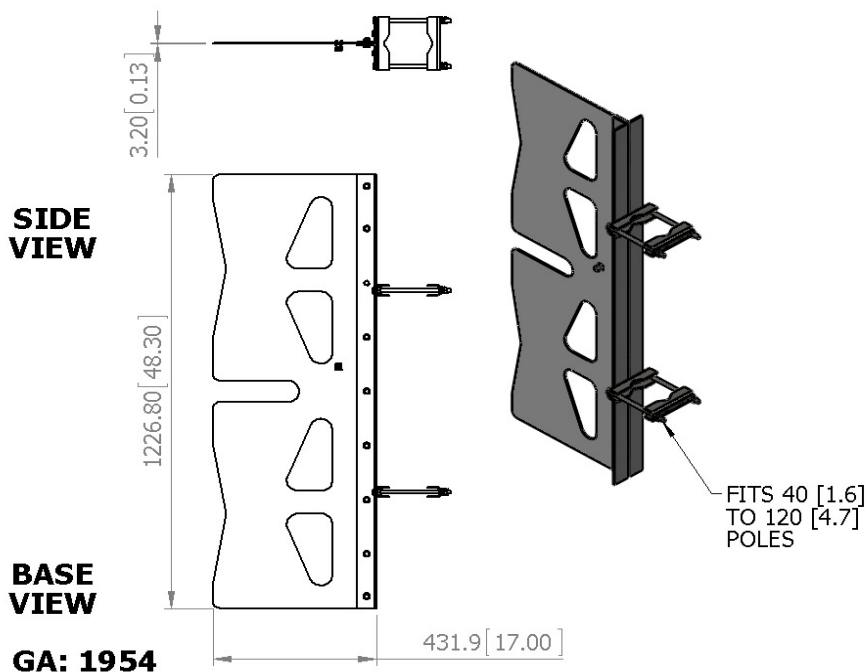
Low Windloading



Azimuth Pattern



Elevation Pattern



### ELECTRICAL

Frequency	300 - 340 MHz
Gain	6.4 dBi Typ
Polarisation	Linear (Vertical)
Beamwidth	171° (Az) x 38° (El) Approx
Cross Polar	20 dB Typ
VSWR	2:1
Power Rating	150W
Front to Back	10 dB Typ

### MECHANICAL

Standard Finish	Gloss White Marine Finish
Mass	5 Kg
Temperature	-20° to +50°C
Wind Loading	N/A

### MOUNTING OPTIONS

Kits Available	N/A
See separate data sheets	

### ADDITIONAL NOTES

Issued 220114

European Antennas Limited trading as Cobham Antenna Systems, Microwave Antennas

European Antennas Limited has a policy of continuous development and stress that the information provided is a guide only and does not constitute an offer or contract or part thereof. Whilst every effort is made to ensure the accuracy of the information contained in this brochure, no responsibility can be accepted for any errors or omissions.

The copyright of antenna designs and images is copyright protected and owned by European Antennas Limited.  
©European Antennas Limited

For further information please contact:

Cobham Antenna Systems, Microwave Antennas  
Lambda House, Cheveley,  
Newmarket, Suffolk CB8 9RG, UK.  
Tel +44 (0)1638 732 177  
Fax +44 (0) 1638 731999  
Email newmarket.sales@cobham.com