

OA3-10.6R/2201

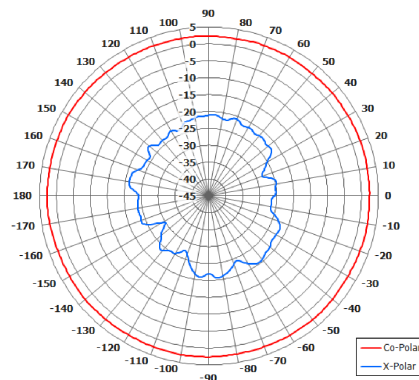
Omni Antenna

Provisional Specification

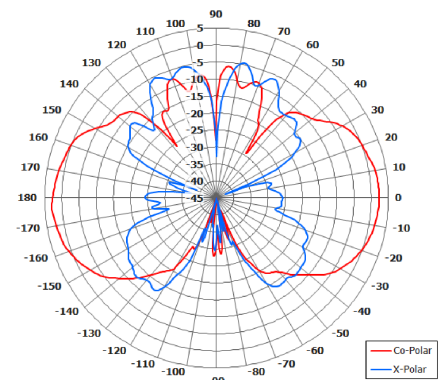
The most important thing we build is trust

COBHAM

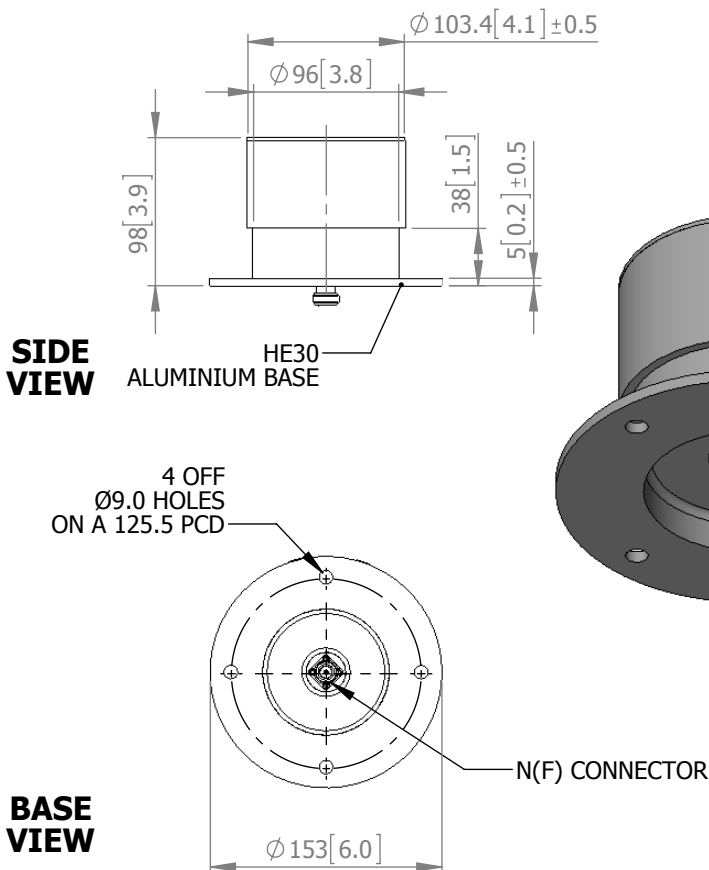
DC Grounded



Azimuth Plot



Elevation Plot



ELECTRICAL

Frequency:	10.60 - 10.65 GHz.
Gain:	2.7 dBiC Nom. Typ.
Polarisation:	Right Hand Circular.
Beamwidth:	360° (Az) x 46° (El) Approx.
VSWR:	1.5:1
Power Rating:	5 W.
Front to Back:	N/A
Electrical Tilt:	0°

MECHANICAL

Standard Finish:	RAL 7040
Mass:	800 g ±10g 61.6% Metallic <300g Non-Metallic Content
Temperature:	-20° to +70°C
Wind Loading:	N/A

MOUNTING OPTIONS

Kits Available:	N/A
See Separate Data Sheets	

GA: 2201-F	Issued: 031014
Dimensions: mm [inches]	M

European Antennas Limited trading as Cobham Antenna Systems, Microwave Antennas

European Antennas Limited has a policy of continuous development and stress that the information provided is a guide only and does not constitute an offer or contract or part thereof. Whilst every effort is made to ensure the accuracy of the information contained in this Data Sheet, no responsibility can be accepted for any errors or omissions.

The copyright of antenna designs and images is copyright protected and owned by European Antennas Limited.
©European Antennas Limited.

For further information please contact:

Cobham Antenna Systems, Microwave Antennas, Lambda House, Cheveley, Newmarket, Suffolk, CB8 9RG, UK

T: +44 (0) 1638 732177
E: newmarket.sales@cobham.com
W: www.cobham.com/antennasystems/microwaveantennas