

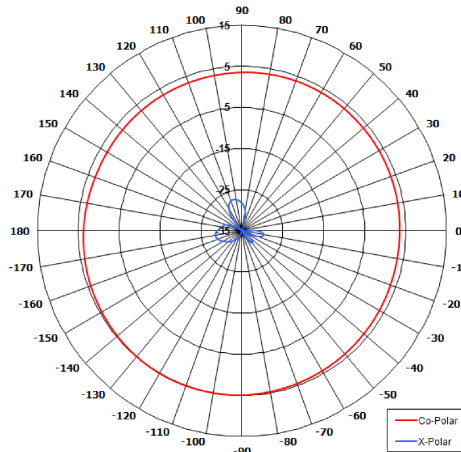
DOA-4.5V-4.7V/2214

Dual Band Omni Antenna

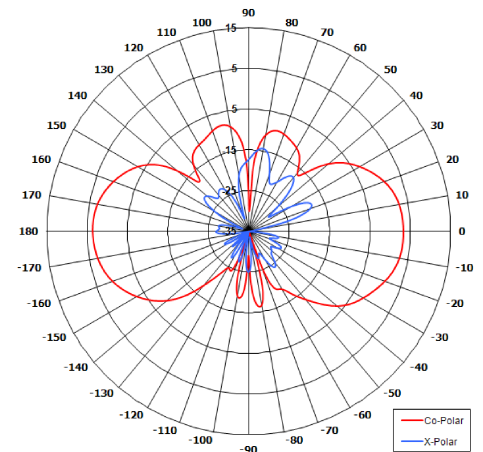
Provisional Specification



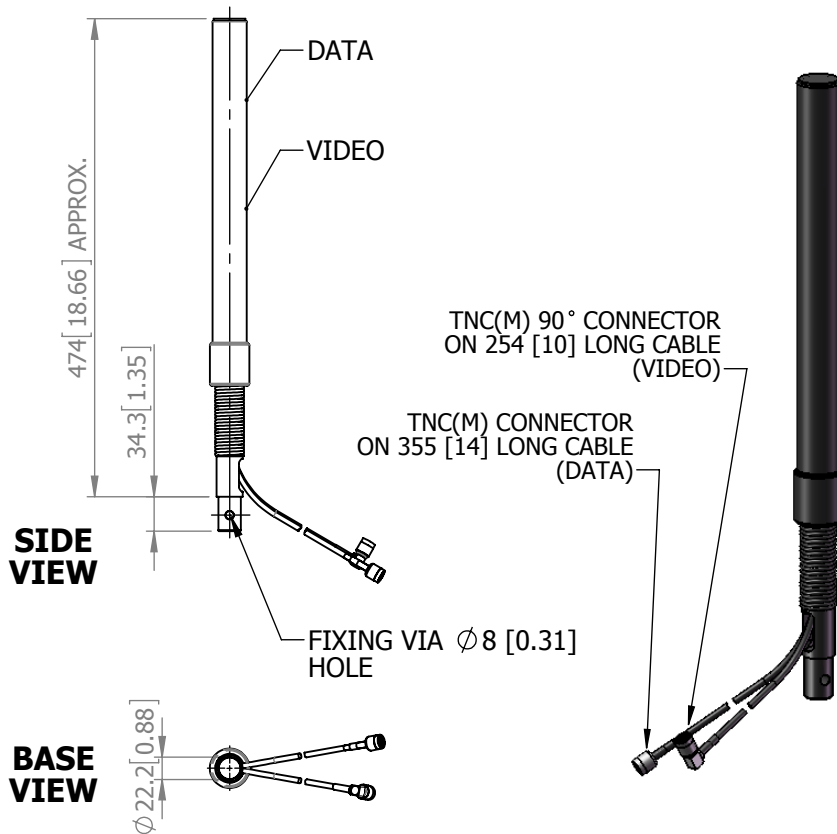
The most important thing we build is trust.



Azimuth Polar Plot



Elevation Polar Plot



ELECTRICAL

	VIDEO	DATA
Frequency:	4.4 - 5.0 GHz	4.2 - 5.0 GHz
Gain:	6 dBi Nom.	4 dBi Nom.
Polarisation:	Linear (Vertical)	Linear (Vertical)
Beamwidth:	360° (Az) x 23° (E)	360° (Az) x 35° (E)
Cross Polar:	>15 dB Typ.	>15 dB Typ.
VSWR:	2:1 Typ.	2:1 Typ.
Power Rating:	50 W	50 W
Front to Back:	N/A	N/A
Electrical Tilt:	0°	0°

MECHANICAL

Standard Finish:	Matt Black
Mass:	1.45 Kg / 3.19 lbs Approx.
Temperature:	-40° to +60°C
Wind Loading:	2.61 Kg / 5.75 lbs @ 100 mph

MOUNTING OPTIONS

Kits Available:	N/A
See Separate Data Sheets	

GA: 2214-A Issued: 250614
Dimensions: mm [inches] M

European Antennas Limited trading as Cobham Antenna Systems, Microwave Antennas

European Antennas Limited has a policy of continuous development and stress that the information provided is a guide only and does not constitute an offer or contract or part thereof. Whilst every effort is made to ensure the accuracy of the information contained in this datasheet, no responsibility can be accepted for any errors or omissions.

The copyright of antenna designs and images is copyright protected and owned by European Antennas Limited.
©European Antennas Limited.

For further information please contact:

Cobham Antenna Systems, Microwave Antennas

Lambda House, Cheveley,
Newmarket, Suffolk. CB8 9RG, UK
Tel +44 (0) 1638 732177
Fax +44 (0) 1638 731999
newmarket.sales@cobham.com