

# FPA21-1.6L/2229

Directional Antenna

Provisional Specification

The most important thing we build is trust

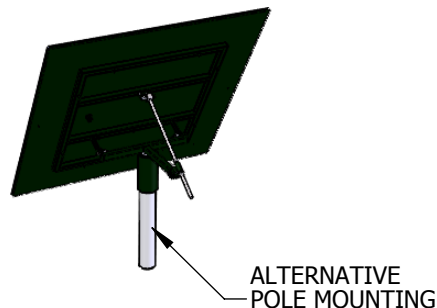
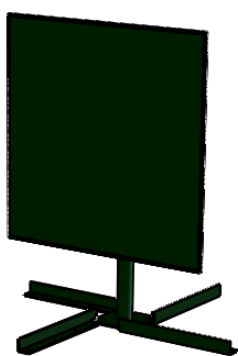
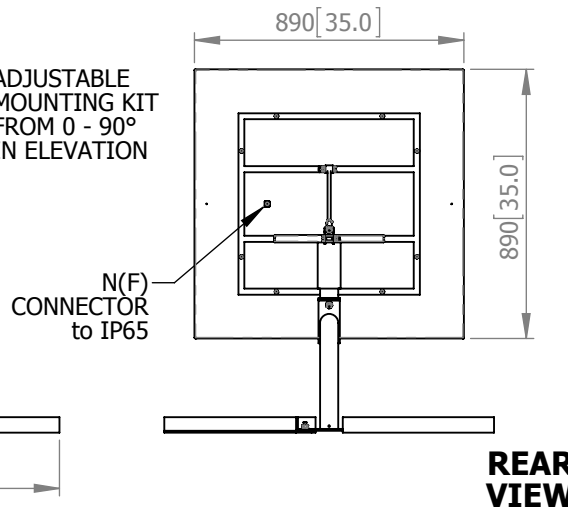
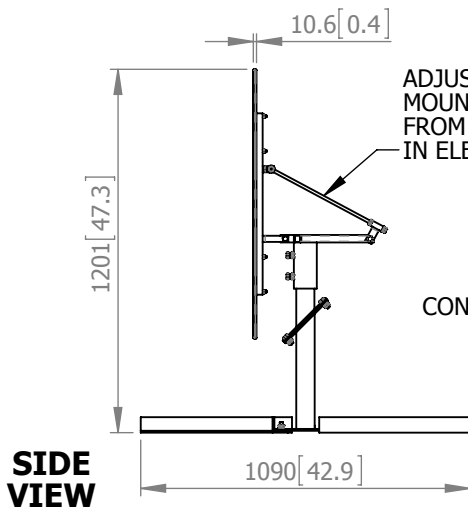
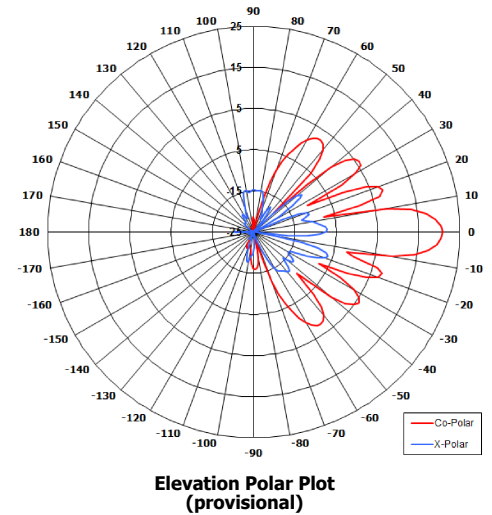
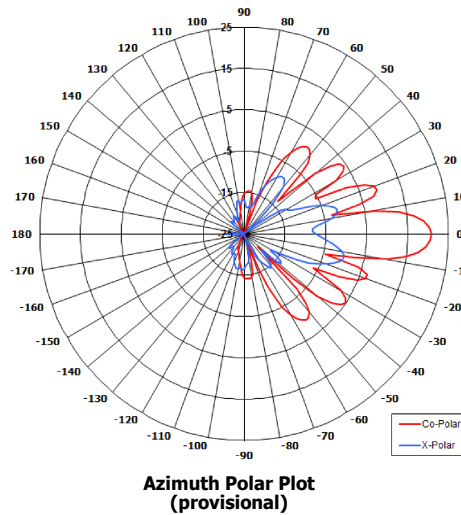
## Key Features

Designed for Satellite Applications

High Power

Left Hand Circular Polarised

Adjustable Mounting Kit



## ELECTRICAL

Frequency:	1.5250 - 1.6605 GHz
Gain:	>21 dBiC
Polarisation:	Left Hand Circular
Beamwidth:	11° (Az) x 11° (El) Typ.
Axial Ratio:	1.2 dB Typ.
VSWR:	1.5:1
Power Rating:	10 W
Front to Back:	>40 dB
Electrical Tilt:	N/A°

## MECHANICAL

Standard Finish:	Forest Green (FS 34083)
Mass:	6.2 Kg (13.6 lbs)
Brackets:	16.8 Kg (37.0 lbs)
Temperature:	-33° to +77°C
Wind Loading:	64.0 Kg (140.8 lbs) @ 100 mph

## MOUNTING OPTIONS

Kits Available:	Included
See Separate Data Sheets	

GA: 2229-A	Issued: 060215
Dimensions: mm [inches]	M

European Antennas Limited trading as Cobham Antenna Systems, Microwave Antennas

European Antennas Limited has a policy of continuous development and stress that the information provided is a guide only and does not constitute an offer or contract or part thereof. Whilst every effort is made to ensure the accuracy of the information contained in this Data Sheet, no responsibility can be accepted for any errors or omissions.

The copyright of antenna designs and images is copyright protected and owned by European Antennas Limited.  
©European Antennas Limited.

For further information please contact:

Cobham Antenna Systems, Microwave Antennas, Lambda House, Cheveley, Newmarket, Suffolk, CB8 9RG, UK

T: +44 (0) 1638 732177  
E: [newmarket.sales@cobham.com](mailto:newmarket.sales@cobham.com)  
W: [www.cobham.com/antennasystems/microwaveantennas](http://www.cobham.com/antennasystems/microwaveantennas)