



EUROPEAN ANTENNAS

Excellence through design
Creative in concept

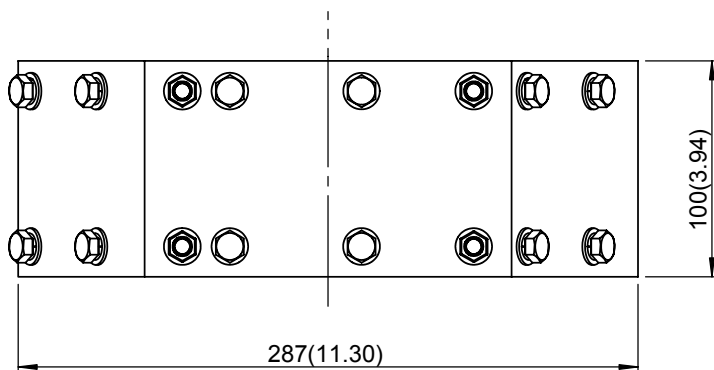
TRIPLE ANTENNA MOUNTING BRACKET ASSEMBLY

MODEL: MK034

Allows up to three, 60 degree Sector Antennas to be installed on one pole-mount assembly to provide 180 degree coverage.

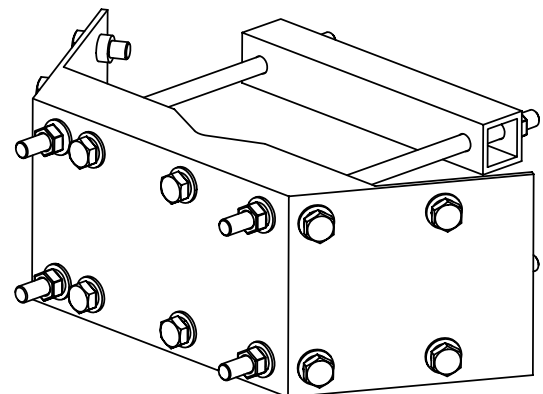
Pole size from 50 - 114mm (2" - 4.5").

FRONT VIEW

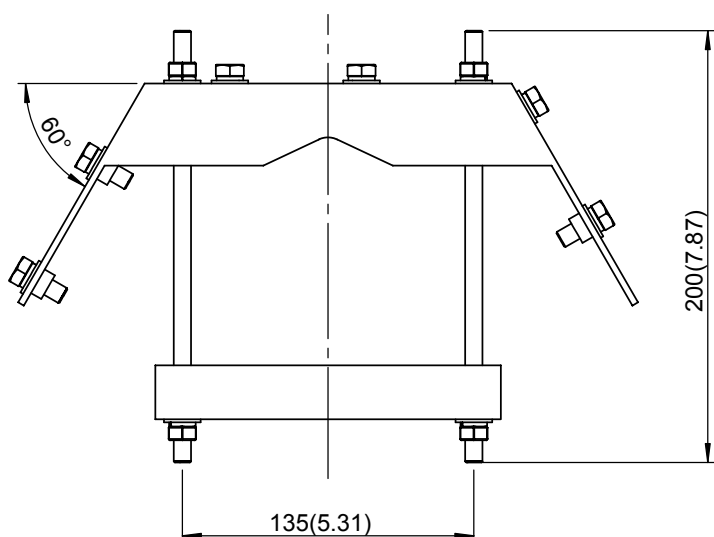


For use with European Antennas models:

SA16-60-35V/579
SA16-60-35H/584
SA16-60-38V/554
SA16-60-38H/585



PICTORIAL VIEW



TOP VIEW

DIMENSIONS: mm (inches)

GA:034A-2 Issued:070301

EUROPEAN ANTENNAS LTD.

Tel: +44 (0)1638 731888
Fax: +44 (0)1638 731999

LAMBDA HOUSE, CHEVELEY
NEWMARKET, SUFFOLK, CB8 9RG,
UNITED KINGDOM

E-Mail: sales@european-antennas.co.uk
Website: www.european-antennas.co.uk

European Antennas Ltd. has a policy of continuous development and therefore stress that the data contained on this sheet should be used for guidance only.