



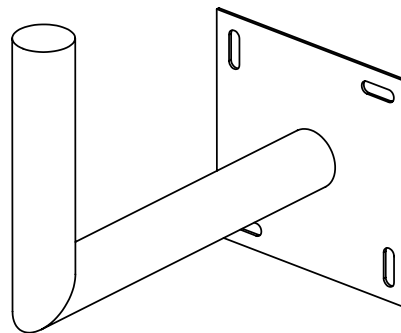
EUROPEAN ANTENNAS

Excellence through design
Creative in concept

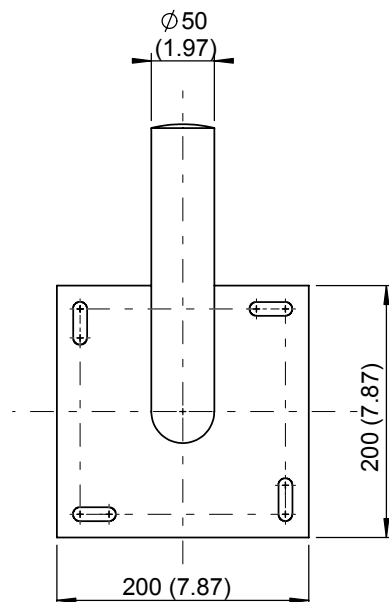
WALL MOUNTING KIT

MODEL: MK054

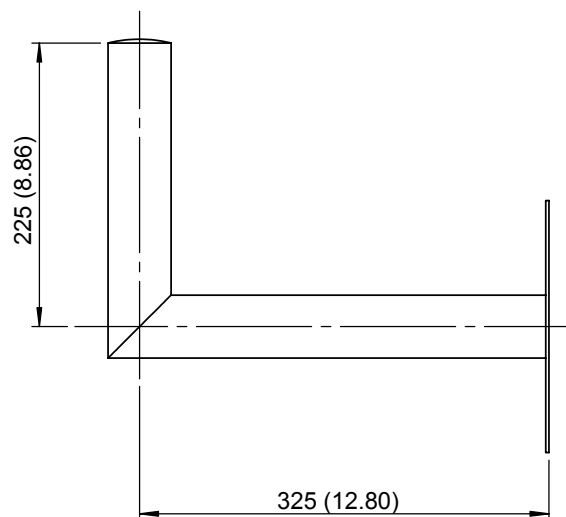
MATERIAL:	MILD STEEL	FINISH:	GALVANISED
FIXING:	VIA SLOTS PROVIDED	MASS:	2.5 Kg / 5.5 lbs Approx.



PICTORIAL VIEW



END VIEW



SIDE VIEW

DIMENSIONS: mm (inches)	H
GA: 054A - 1	Issued: 200303

EUROPEAN ANTENNAS LTD.

Tel: +44 (0)1638 731888
Fax: +44 (0)1638 731999

LAMBDA HOUSE, CHEVELEY
NEWMARKET, SUFFOLK, CB8 9RG,
UNITED KINGDOM

E-Mail: sales@european-antennas.co.uk
Website: www.european-antennas.co.uk

European Antennas Ltd. has a policy of continuous development and therefore stress that the data contained on this sheet should be used for guidance only.