



EUROPEAN ANTENNAS

Excellence through design
Creative in concept

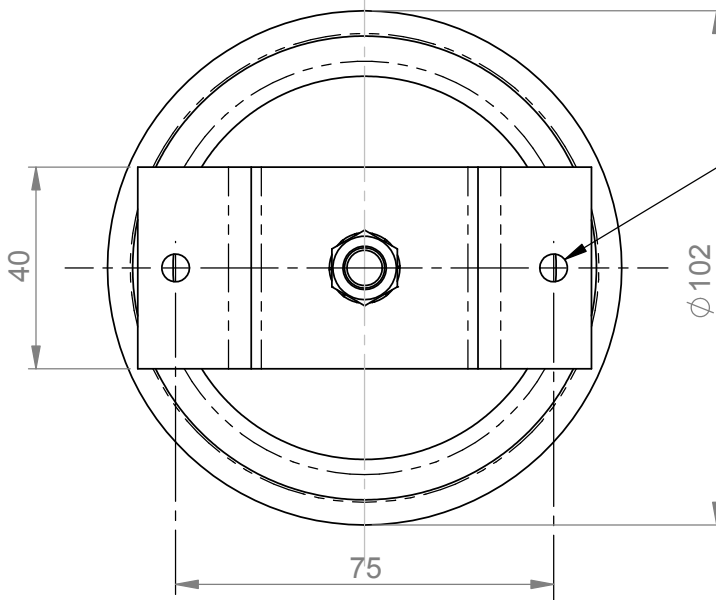
DHOA2 MAGNETIC MOUNT

MODEL: 070A

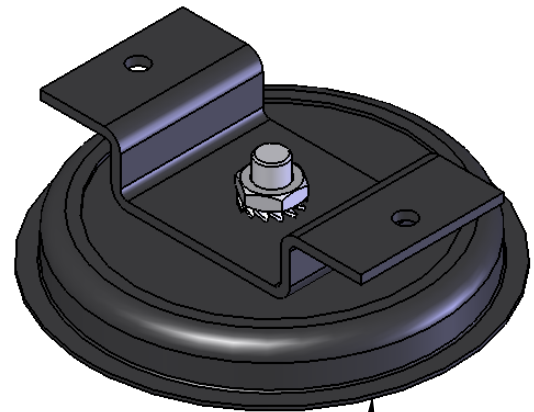
MAGNETIC MOUNT FOR MOUNTING DHOA2-9-18R ANTENNA TO THE ROOF OF A VEHICLE

IMPORTANT: THIS PRODUCT IS NOT DESIGNED FOR USE WHILST VEHICLE IS IN MOTION

TOP VIEW

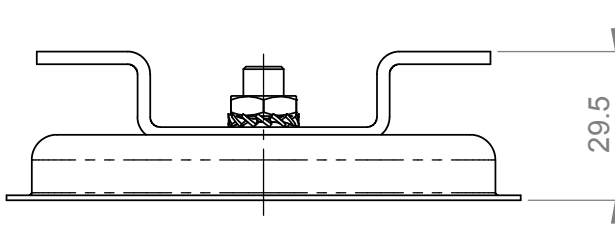


2 OFF $\phi 5.5$
MOUNTING HOLES



PROTECTIVE RUBBER
FOOT

ISOMETRIC VIEW



SIDE VIEW

GA:070-1 Issued: 170706 DIMENSIONS: mm (inches) M

EUROPEAN ANTENNAS LTD.
LAMBDA HOUSE, CHEVELEY
NEWMARKET, SUFFOLK, CB8 9RG,
UNITED KINGDOM



Certificate No 9268

Tel: +44 (0)1638 731888
Fax: +44 (0)1638 731999
E-Mail: sales@european-antennas.co.uk
Website: www.european-antennas.co.uk

European Antennas Ltd. has a policy of continuous development and therefore stress that the data contained on this sheet should be used for guidance only.