



EUROPEAN ANTENNAS

Excellence through design
Creative in concept

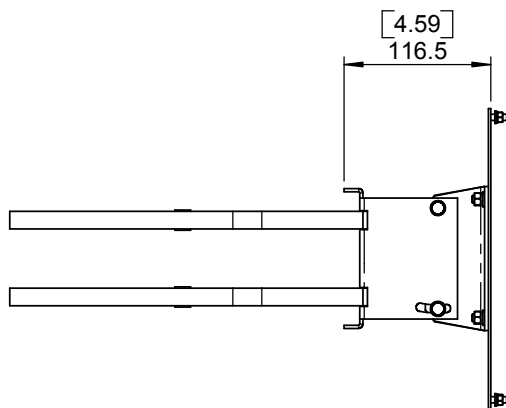
POLE MOUNT KIT

MODEL: LPA7-900 MOUNTING KIT/088A

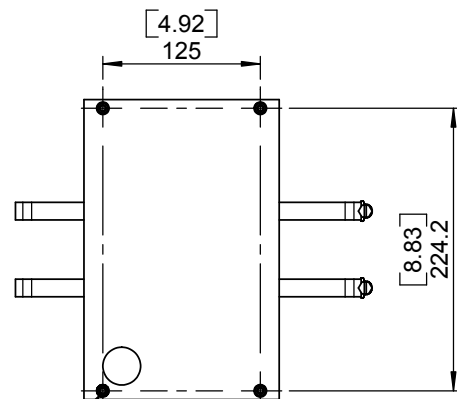
SUITABLE FOR ANTENNAS 525B & 526B

MOUNTING:	Fits pole sizes up to $\varnothing 350\text{mm}$ (13.8")	MATERIAL:	Aluminium Brackets St. Steel Bands & Fasteners
EL. ADJUSTMENT:	+/- 10°	FINISH:	Anodised / Alocrom Brackets
AZ. ADJUSTMENT:	Via rotation on pole		
MASS:	650 g / 1.43 lbs		

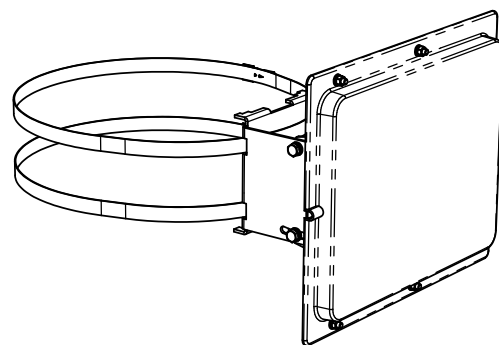
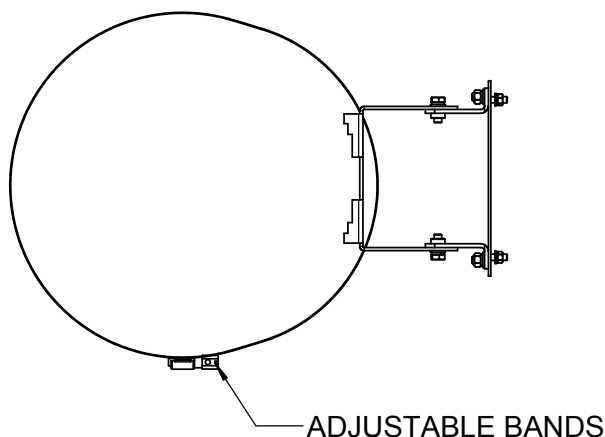
SIDE VIEW



FRONT VIEW



MOUNTS TO ANTENNA
VIA 4, M5 X 13 STUDS



PICTORIAL VIEW (SHOWN WITH ANTENNA)

TOP VIEW

DIMENSIONS: mm (inches)	M
GA: 088A - 1	Issued: 240206

EUROPEAN ANTENNAS LTD.

Tel: +44 (0)1638 731888
Fax: +44 (0)1638 731999

LAMBDA HOUSE, CHEVELEY
NEWMARKET, SUFFOLK, CB8 9RG,
UNITED KINGDOM

E-Mail: sales@european-antennas.co.uk
Website: www.european-antennas.co.uk