



EUROPEAN ANTENNAS

Excellence through design
Creative in concept

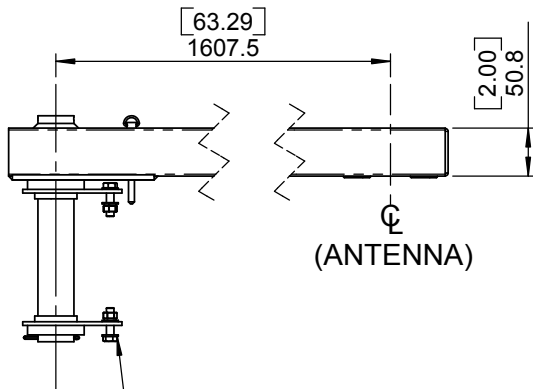
MOUNTING KIT FOR 148B ANTENNAS

MODEL: MKT5 C-BEAM/089A

MOUNTING:	Mounts to 175x50 parallel flange channel or to wall when used with 090A (sold separately)	MATERIAL:	Aluminium
		FINISH:	Gloss white semi-spatter
		MASS:	5 Kg / 11 lbs Approx.

SIDE VIEW

KIT INCLUDES ANTENNA CABLE TERMINATED WITH N(M) CONNECTOR

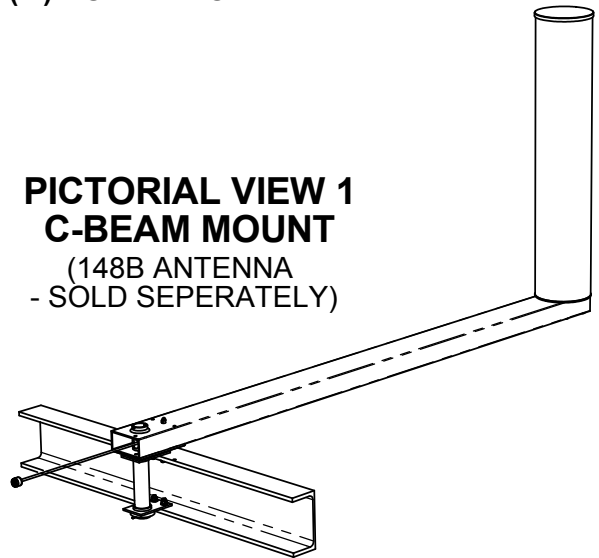


(ANTENNA)

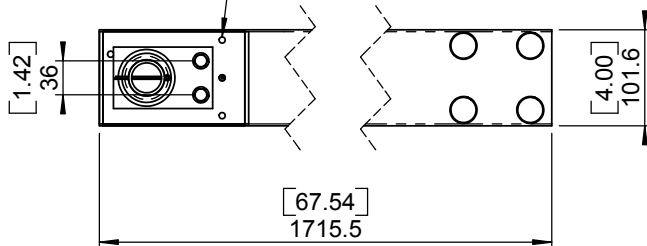
MOUNTING PLATES FEATURE SLOTTED HOLES, ALLOWING ADJUSTMENT FOR SAG

PICTORIAL VIEW 1 C-BEAM MOUNT

(148B ANTENNA - SOLD SEPERATELY)

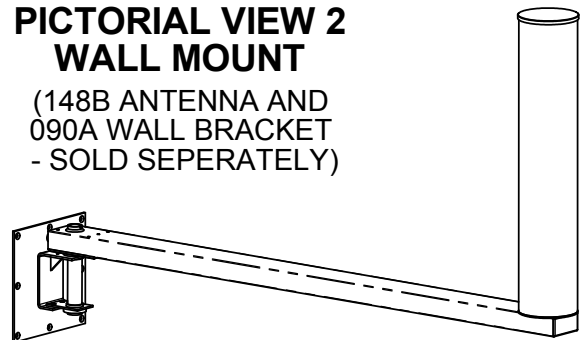


3 PIN POSITIONS ALLOWING ARM TO BE FIXED AT 0°, 90° & 180° TO C BEAM



PICTORIAL VIEW 2 WALL MOUNT

(148B ANTENNA AND 090A WALL BRACKET - SOLD SEPERATELY)



BOTTOM VIEW

DIMENSIONS: mm (inches)	M
GA: 089A-1	Issued: 161106

EUROPEAN ANTENNAS LTD.

Tel: +44 (0)1638 731888
Fax: +44 (0)1638 731999

LAMBDA HOUSE, CHEVELEY
NEWMARKET, SUFFOLK, CB8 9RG,
UNITED KINGDOM

E-Mail: sales@european-antennas.co.uk
Website: www.european-antennas.co.uk