



EUROPEAN ANTENNAS

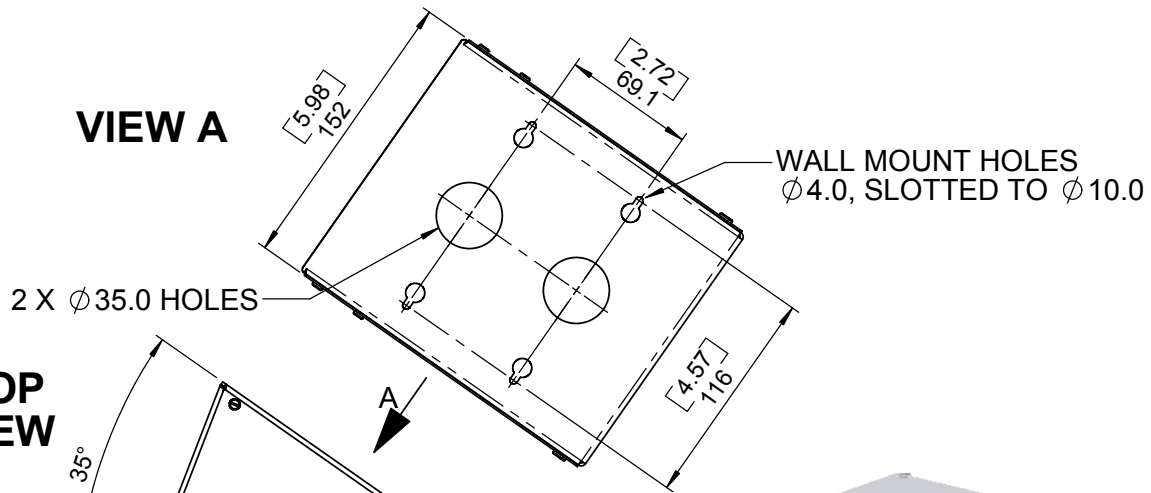
Excellence through design
Creative in concept

WALL MOUNT FOR 1315B ANTENNAS

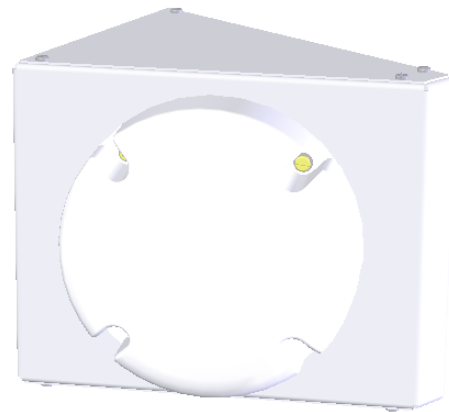
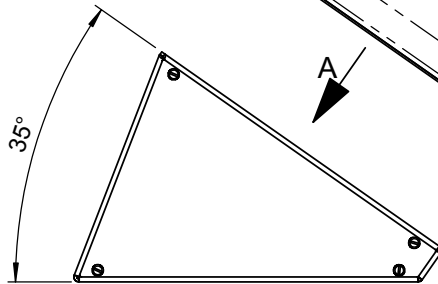
MODEL: T5 MKG/094A

MOUNTING:	Wall mount via screw slots	MATERIAL:	Aluminium
EL. ADJUSTMENT:	None	FINISH:	Semi Gloss White
AZ. ADJUSTMENT:	Fixed at 35° to wall	MASS:	1.0 Kg / 2.2 lbs

VIEW A

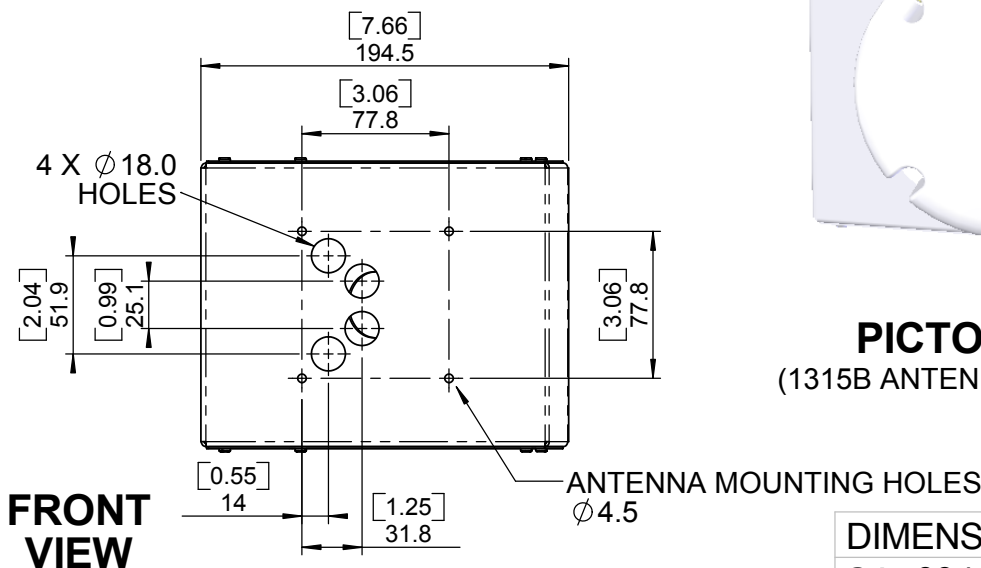


TOP VIEW



PICTORIAL VIEW

(1315B ANTENNA SOLD SEPERATELY)



FRONT VIEW

DIMENSIONS: mm (inches)	L
GA: 094A-1	Issued: 021006

EUROPEAN ANTENNAS LTD.

Tel: +44 (0)1638 731888
Fax: +44 (0)1638 731999

LAMBDA HOUSE, CHEVELEY
NEWMARKET, SUFFOLK, CB8 9RG,
UNITED KINGDOM

E-Mail: sales@european-antennas.co.uk
Website: www.european-antennas.co.uk