

FPA23-5.8V/9511

Flat Panel Antenna

Provisional Specification



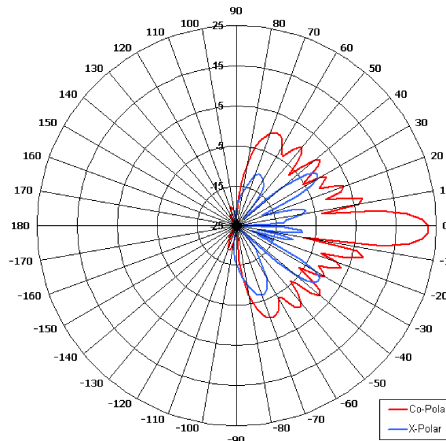
The most important thing we build is trust.

Low Profile Design

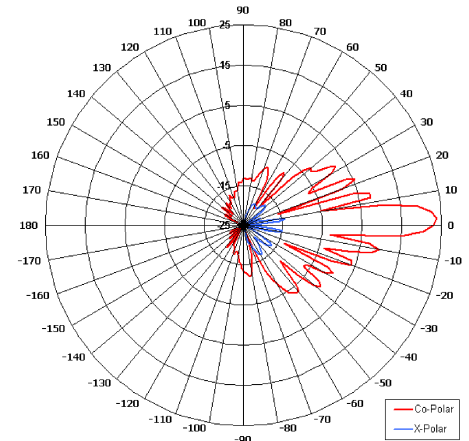
Pattern - Directional

High Gain

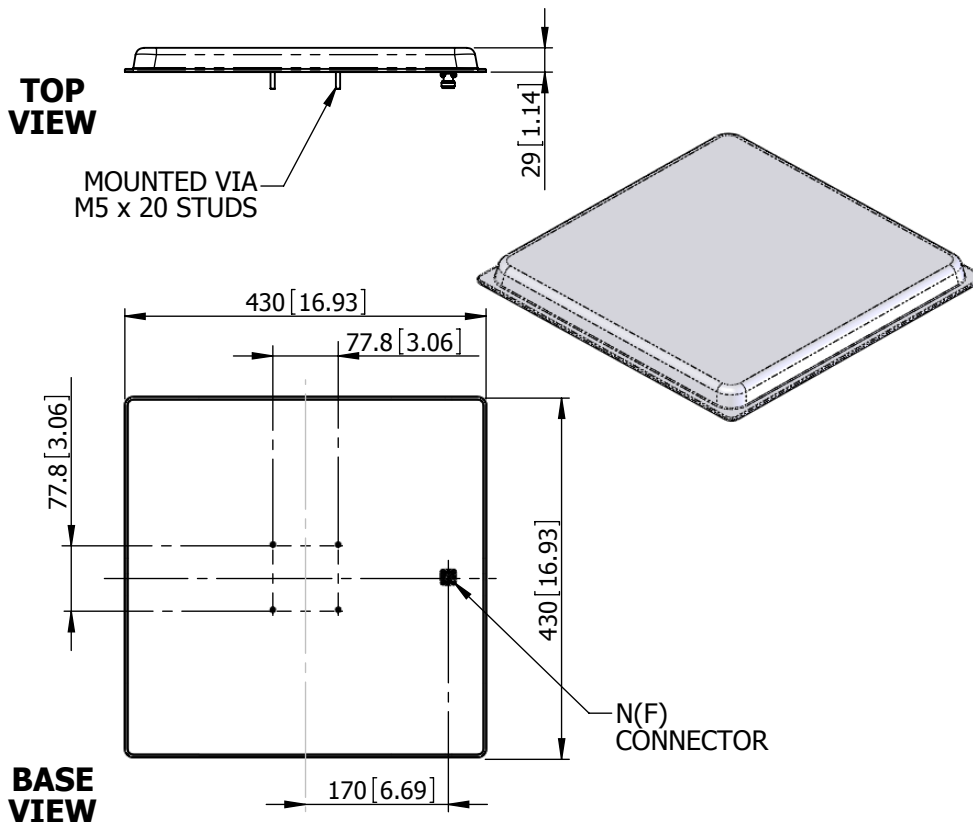
Provisional performance patterns available.



Azimuth Polar Plot (similar product)



Elevation Polar Plot (similar product)



ELECTRICAL

Frequency:	5.725 - 5.850 GHz
Gain:	22.5 dBi Approx.
Polarisation:	Linear (Vertical)
Beamwidth:	8.5° (Az) x 8.5° (El) Approx.
Cross Polar:	20 dB Typ.
VSWR:	1.5:1 Typ.
Power Rating:	10 W
Front to Back:	>30 dB
Electrical Tilt:	0°

MECHANICAL

Standard Finish:	White Radome, Alocrom 1200 Base
Mass:	3 Kg / 6.6 lbs
Temperature:	-40° to +60°C
Wind Loading:	32 Kg / 70 lbs @ 100 mph

MOUNTING OPTIONS

Kits Available: MK4/B

See Separate Data Sheets

GA: 9511-A Issued: 221209
Dimensions: mm [inches] H

European Antennas Limited trading as Cobham Antenna Systems, Microwave Antennas

European Antennas Limited has a policy of continuous development and stress that the information provided is a guide only and does not constitute an offer or contract or part thereof. Whilst every effort is made to ensure the accuracy of the information contained in this Data Sheet, no responsibility can be accepted for any errors or omissions.

The copyright of antenna designs and images is copyright protected and owned by European Antennas Limited.
©European Antennas Limited.

For further information please contact:

Cobham Antenna Systems, Microwave Antennas

Lambda House, Cheveley,
Newmarket, Suffolk. CB8 9RG, UK
Tel +44 (0) 1638 732177
Fax +44 (0) 1638 731999
Email antennasystems.ma@cobham.com