

SA15-120-5.4VH/9522

Dual-Polar Sector Antenna

Provisional Specification

The most important thing we build is trust

COBHAM

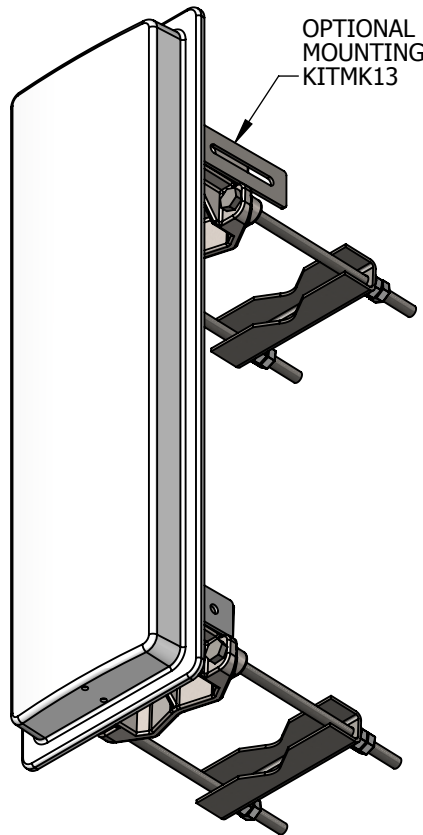
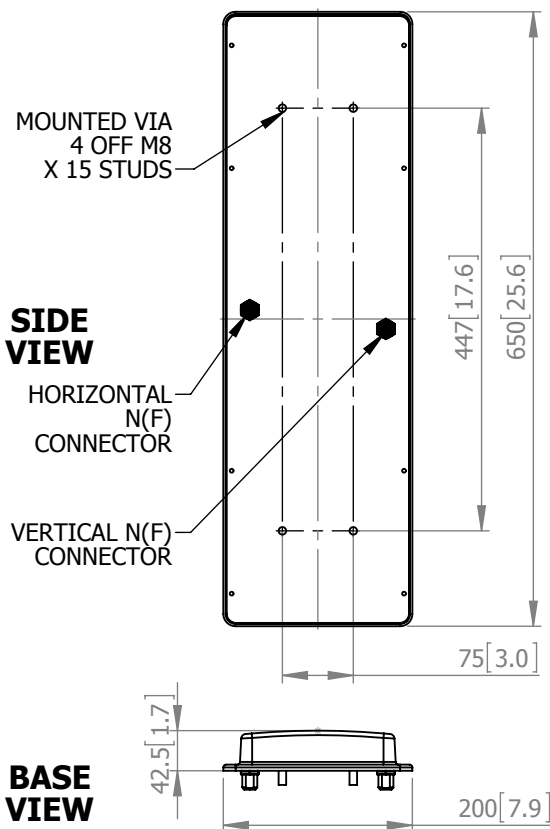
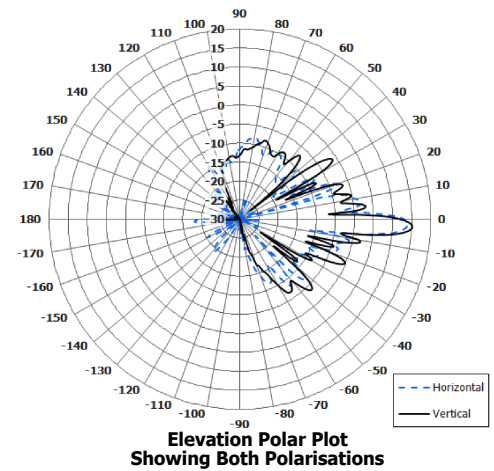
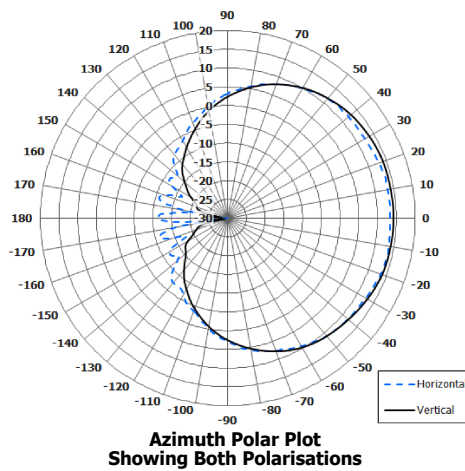
Key Features

120° Coverage

Vertical & Horizontal Polarisation

Rugged UV Stable

Low Wind Loading



ELECTRICAL

Frequency:	4.9 - 5.9 GHz
Gain:	15 dBi Typ.
Polarisation:	Dual Linear (Vertical & Horizontal)
Beamwidth:	110° (Az) x 6° (El) Approx
Cross Polar:	20 dB Min.
VSWR:	2:1 Max.
Power Rating:	50 W
Front to Back:	15 dB Min. 20 dB Typ.
Electrical Tilt:	2° Typ.
Isolation:	30dB Min

MECHANICAL

Standard Finish:	White, UV Stable Radome.
Mass:	1.5Kg (3.3 lbs)
Temperature:	-40° to +60°C
Wind Loading:	21Kg (46lbs) @ 100 mph

MOUNTING OPTIONS

Kits Available:	MK13
See Separate Data Sheets	

GA: 9522-A Issued: 23.04.14
Dimensions: mm [inches] M

European Antennas Limited trading as Cobham Antenna Systems, Microwave Antennas

European Antennas Limited has a policy of continuous development and stress that the information provided is a guide only and does not constitute an offer or contract or part thereof. Whilst every effort is made to ensure the accuracy of the information contained in this Data Sheet, no responsibility can be accepted for any errors or omissions.

The copyright of antenna designs and images is copyright protected and owned by European Antennas Limited.
©European Antennas Limited.

For further information please contact:

Cobham Antenna Systems, Microwave Antennas, Lambda House, Cheveley, Newmarket, Suffolk, CB8 9RG, UK

T: +44 (0) 1638 732177
E: newmarket.sales@cobham.com
W: www.cobham.com/antennasystems/microwaveantennas