

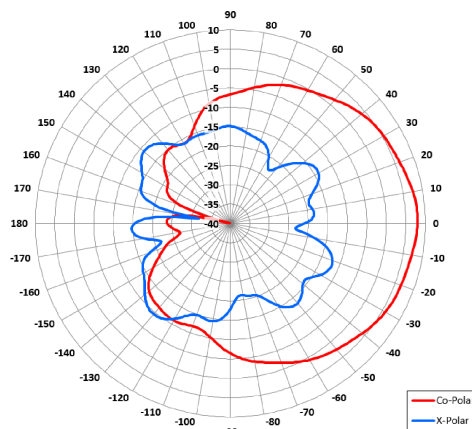
FPA7-1.6RL/2364

Flat Panel Antenna

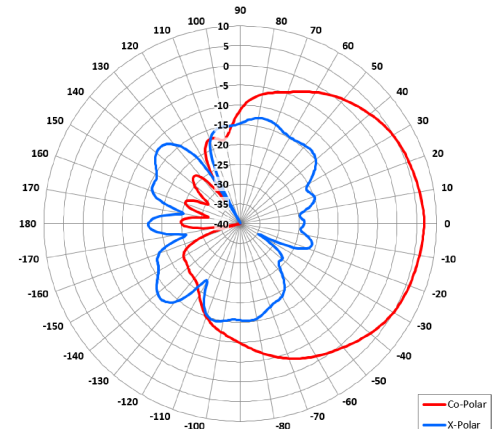
Provisional Specification

The most important thing we build is trust

COBHAM



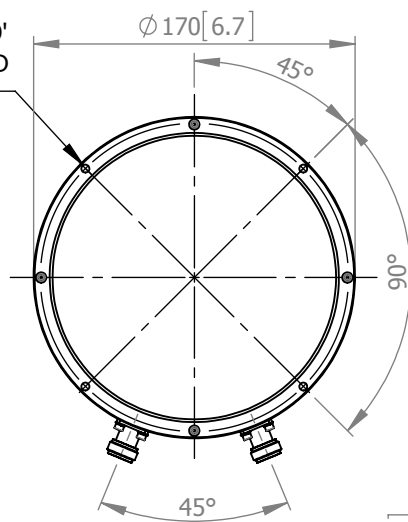
Azimuth Polar Plot
(similar product)



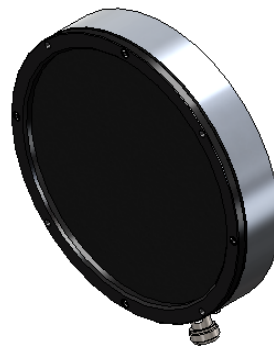
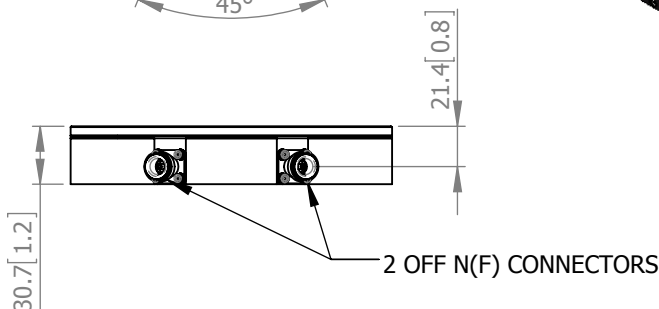
Elevation Polar Plot
(similar product)

MOUNTED VIA
4 OFF $\phi 4.2$
HOLES THRO'
EQUI SPACED
ON 163 PCD

TOP
VIEW



SIDE
VIEW



ELECTRICAL

Frequency:	1.525 - 1.6605 GHz
Gain:	7 dBiC Nom.
Polarisation:	Right and Left Hand Circular
Beamwidth:	65° (Az) x 65° (El) Approx.
Axial Ratio:	<3.0 dB
VSWR:	<1.5:1
Power Rating:	10 W
Front to Back:	>15 dB

MECHANICAL

Standard Finish:	Black Radome, Aluminium Housing
Mass:	950 g / 2.094 lbs
Temperature:	-40° to +85°C
Wind Loading:	33N @ 100 mph

MOUNTING OPTIONS

Kits Available:	N/A
See Separate Data Sheets	

DS: 2364-B Issued: 270516

Dimensions: mm [inches] M

Chelton Limited trading as Cobham Antenna Systems, Microwave Antennas

Chelton Limited has a policy of continuous development and stress that the information provided is a guide only and does not constitute an offer or contract or part thereof. Whilst every effort is made to ensure the accuracy of the information contained in this Data Sheet, no responsibility can be accepted for any errors or omissions.

The copyright of antenna designs and images is copyright protected and owned by Chelton Limited.
©Chelton Limited.

For further information please contact:

Cobham Antenna Systems, Microwave Antennas, Lambda House, Cheveley, Newmarket, Suffolk, CB8 9RG, UK

T: +44 (0) 1638 732177

E: newmarket.sales@cobham.com

W: www.cobham.com/antennasystems/microwaveantennas