

# SVD2-1300-HDTNCRA/2291

Heavy Duty Slim Dipole Antenna

Provisional Specification

The most important thing we build is trust

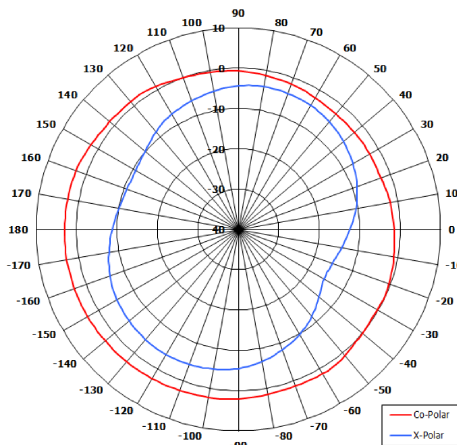
# COBHAM

Designed for Mobile Applications

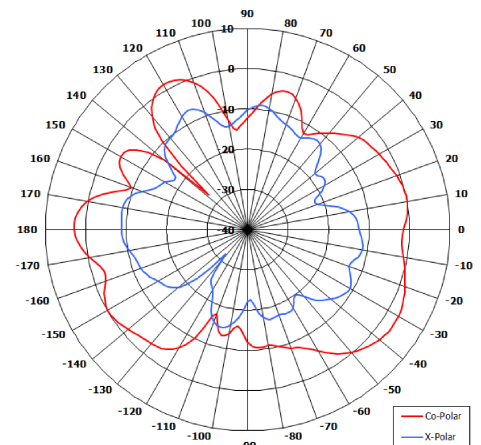
Suitable for Multiple Applications

Compact

Lightweight

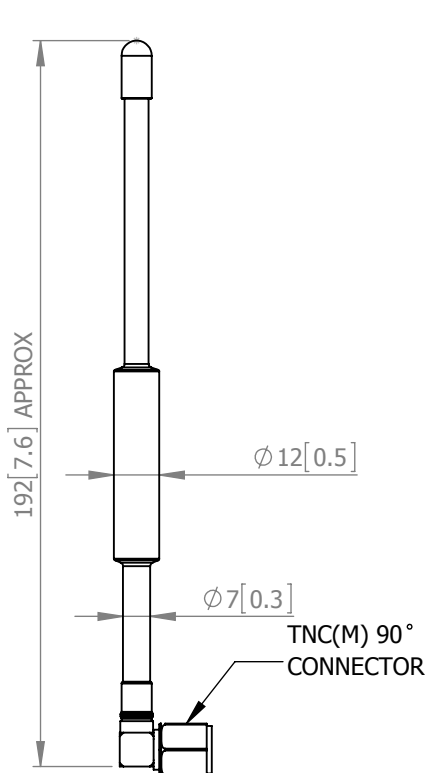


Azimuth Polar Plot  
(similar product)

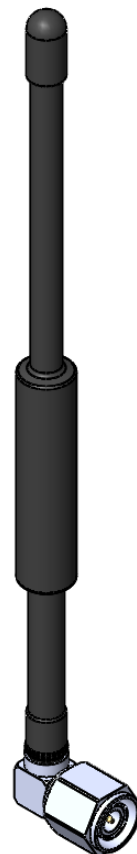


Elevation Polar Plot  
(similar product)

**SIDE  
VIEW**



**BASE  
VIEW**



## ELECTRICAL

Frequency:	1.25 GHz - 1.35GHz
Gain:	2 dBi Nom.
Polarisation:	Linear (Vertical)
Beamwidth:	360° (Az) x 80° (El) Approx.
Cross Polar:	15 - 20 dB Approx.
VSWR:	2:1 Max
Power Rating:	5 W
Front to Back:	N/A

## MECHANICAL

Standard Finish	Matt Black
Mass:	45 g
Temperature:	-20° to +50°C
Wind Loading:	N/A

## MOUNTING OPTIONS

Kits Available:	N/A
-----------------	-----

See Separate Data Sheets

DS: 2291-A Issued: 200715

Dimensions: mm [inches] M

Chelton Limited trading as Cobham Antenna Systems, Microwave Antennas

Chelton Limited has a policy of continuous development and stress that the information provided is a guide only and does not constitute an offer or contract or part thereof. Whilst every effort is made to ensure the accuracy of the information contained in this Data Sheet, no responsibility can be accepted for any errors or omissions.

The copyright of antenna designs and images is copyright protected and owned by Chelton Limited.  
©Chelton Limited.

For further information please contact:

Cobham Antenna Systems, Microwave Antennas, Lambda House, Cheveley, Newmarket, Suffolk, CB8 9RG, UK

T: +44 (0) 1638 732177

E: [newmarket.sales@cobham.com](mailto:newmarket.sales@cobham.com)

W: [www.cobham.com/antennasystems/microwaveantennas](http://www.cobham.com/antennasystems/microwaveantennas)