

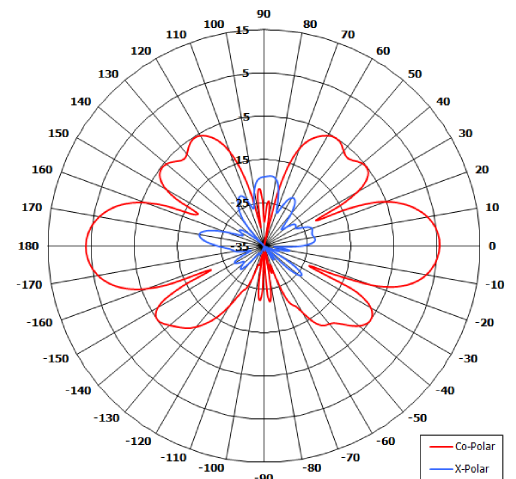
# OA6-4.7VH/2210



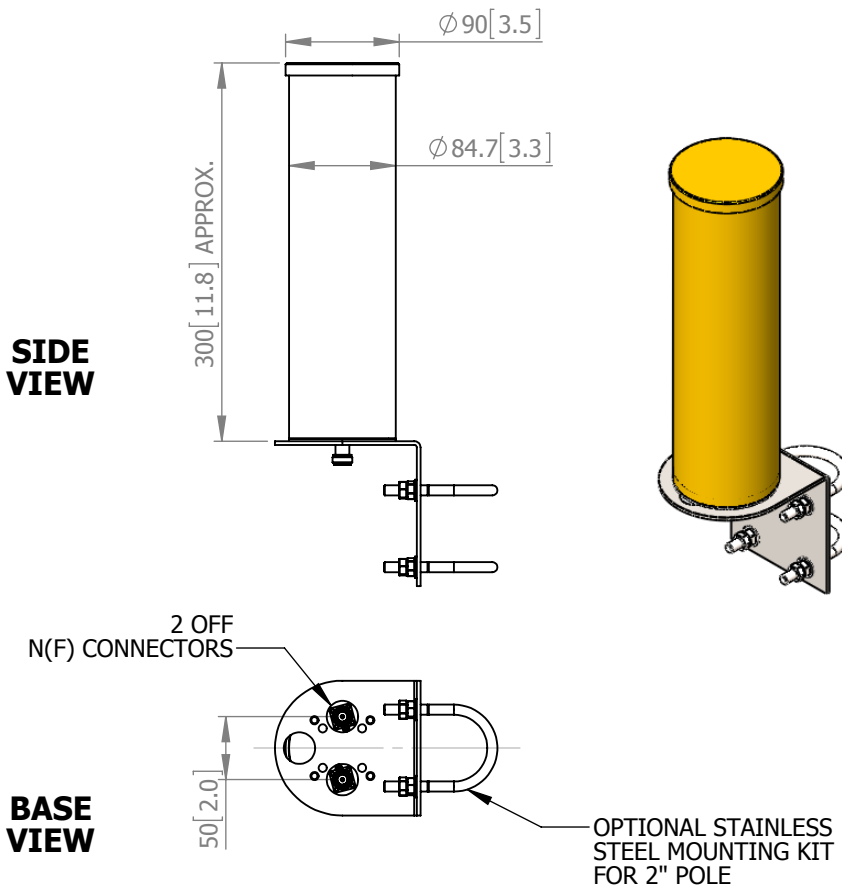
Medium Gain Dual Polar Omni Antenna

Provisional Specification

The most important thing we build is trust



Elevation Polar Plot (similar product)



## ELECTRICAL

<b>Frequency:</b>	4.4 - 5.0 GHz
<b>Gain:</b>	6.0 dBi Nom.
<b>Polarisation:</b>	Dual Linear (V&H)
<b>Beamwidth:</b>	360° (Az) x 20° (El) approx.
<b>Azimuth Ripple:</b>	±1.5 dB
<b>VSWR:</b>	2:1 Max.
<b>Power Rating:</b>	30 W
<b>Isolation:</b>	20 dB Target
<b>Front to Back:</b>	N/A
<b>Electrical Tilt:</b>	0°

## MECHANICAL

<b>Standard Finish:</b>	Desert Tan
<b>Mass:</b>	0.7 Kg / 1.54 lbs Approx.
<b>Temperature:</b>	-40° to +70°C
<b>Wind Loading:</b>	5.06 Kg / 11.13 lbs @ 100 mph

## MOUNTING OPTIONS

<b>Kits Available:</b>	MK15
See Separate Data Sheets	

GA: 2210-B Issued: 030315  
Dimensions: mm [inches] M

European Antennas Limited trading as Cobham Antenna Systems, Microwave Antennas

European Antennas Limited has a policy of continuous development and stress that the information provided is a guide only and does not constitute an offer or contract or part thereof. Whilst every effort is made to ensure the accuracy of the information contained in this Data Sheet, no responsibility can be accepted for any errors or omissions.

The copyright of antenna designs and images is copyright protected and owned by European Antennas Limited.  
©European Antennas Limited.

For further information please contact:

Cobham Antenna Systems, Microwave Antennas, Lambda House, Cheveley, Newmarket, Suffolk, CB8 9RG, UK

T: +44 (0) 1638 732177  
E: [newmarket.sales@cobham.com](mailto:newmarket.sales@cobham.com)  
W: [www.cobham.com/antennasystems/microwaveantennas](http://www.cobham.com/antennasystems/microwaveantennas)